

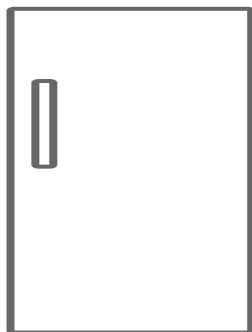


ROMO

EN Freezer / User Manual

CZ Mraznička / Návod k obsluze

SK Mraznička / Návod na obsluhu








RUF103W

Thank you for choosing this product.

This user manual contains important information on safety and instructions intended to assist you in the operation and maintenance of your appliance.

Please take the time to read this user manual before using your appliance and keep this book for future reference.

Icon	Type	Meaning
	WARNING	Serious injury or death risk
	RISK OF ELECTRIC SHOCK	Dangerous voltage risk
	FIRE	Warning; Risk of fire / flammable materials
	CAUTION	Injury or property damage risk
	IMPORTANT	Operating the system correctly

CONTENTS

1 SAFETY INSTRUCTIONS	4
1.1 General Safety Warnings	4
1.2 Installation warnings	8
1.3 During Usage.....	8
2 DESCRIPTION OF THE APPLIANCE	10
2.1 Dimensions.....	11
3 USING THE APPLIANCE	12
3.1 Information on Less Frost Technology.....	12
3.2 Thermostat Setting	12
3.3 Accessories	12
3.3.1 Ice Tray (<i>In some models</i>).....	12
3.3.2 The Plastic Scraper (<i>In some models</i>).....	13
4 FOOD STORAGE	13
5 CLEANING AND MAINTENANCE	15
5.1 Defrosting	15
6 SHIPMENT AND REPOSITIONING	16
6.1 Transportation and Changing Positioning	16
6.2 Repositioning the Door.....	16
7 BEFORE CALLING AFTER-SALES SERVICE	17
8 TIPS FOR SAVING ENERGY	18
9 TECHNICAL DATA	18
10 INFORMATION FOR TEST INSTITUTES	18
11 CUSTOMER CARE AND SERVICE	18

1 SAFETY INSTRUCTIONS

1.1 General Safety Warnings

Read this user manual carefully.

⚠ WARNING: Keep ventilation openings, in the appliance enclosure or in the built-in structure, clear of obstruction.

⚠ WARNING: Do not use mechanical devices or other means to accelerate the defrosting process, other than those recommended by the manufacturer.

⚠ WARNING: Do not use electrical appliances inside the food storage compartments of the appliance, unless they are of the type recommended by the manufacturer.

⚠ WARNING: Do not damage the refrigerant circuit.

⚠ WARNING: When positioning the appliance, ensure the supply cord is not trapped or damaged.

⚠ WARNING: Do not locate multiple portable socket-outlets or portable power supplies at the rear of the appliance.

⚠ WARNING: In order to avoid any hazards resulting from the instability of the appliance, it must be fixed in accordance with the instructions.

⚠ If your appliance uses R600a as a refrigerant (this information will be provided on the label of the cooler) you should take care during transportation and installation to prevent the cooler elements from being damaged. R600a is an environmentally friendly and

natural gas, but it is explosive. In the event of a leak due to damage of the cooler elements, move your fridge away from open flames or heat sources and ventilate the room where the appliance is located for a few minutes.

- While carrying and positioning the fridge, do not damage the cooler gas circuit.
- Do not store explosive substances such as aerosol cans with a flammable propellant in this appliance.
- This appliance is intended to be used in household and domestic applications such as:
 - staff kitchen areas in shops, offices and other working environments.
 - farm houses and by clients in hotels, motels and other residential type environments.
 - bed and breakfast type environments;
 - catering and similar non-retail applications.
- If the socket does not match the refrigerator plug, it must be replaced by the manufacturer, a service agent or similarly qualified persons in order to avoid a hazard.
- A specially grounded plug has been connected to the power cable of your refrigerator. This plug should be used with a specially grounded socket of 16 amperes. If there is no such socket in your house, please have one installed by an authorised electrician.

- This appliance can be used by children aged from 8 years and above and persons with reduced physical, sensory or mental capabilities or lack of experience and knowledge if they have been given supervision or instruction concerning use of the appliance in a safe way and understand the hazards involved. Children shall not play with the appliance. Cleaning and user maintenance shall not be made by children without supervision.
- Children aged from 3 to 8 years are allowed to load and unload refrigerating appliances. Children are not expected to perform cleaning or user maintenance of the appliance, very young children (0-3 years old) are not expected to use appliances, young children (3-8 years old) are not expected to use appliances safely unless continuous supervision is given, older children (8-14 years old) and vulnerable people can use appliances safely after they have been given appropriate supervision or instruction concerning use of the appliance. Very vulnerable people are not expected to use appliances safely unless continuous supervision is given.
- If the supply cord is damaged, it must be replaced by the manufacturer, an authorised service agent or similar qualified persons, in order to avoid a hazard.
- This appliance is not intended for use at altitudes exceeding 2000 m.

To avoid contamination of food, please respect the following instructions:

- Opening the door for long periods can cause a significant increase of the temperature in the compartments of the appliance.
- Clean regularly surfaces that can come in contact with food and accessible drainage systems
- Store raw meat and fish in suitable containers in the refrigerator, so that it is not in contact with or drip onto other food.
- Two-star frozen-food compartments are suitable for storing pre-frozen food, storing or making ice cream and making ice cubes.
- One-, two- and three-star compartments are not suitable for the freezing of fresh food.
- If the refrigerating appliance is left empty for long periods, switch off, defrost, clean, dry, and leave the door open to prevent mould developing within the appliance.

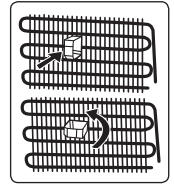
1.2 Installation warnings

Before using your freezer for the first time, please pay attention to the following points:

- The operating voltage for your freezer is 220-240 V at 50Hz.
- The plug must be accessible after installation.
- Your freezer may have an odour when it is operated for the first time. This is normal and the odour will fade when your freezer starts to cool.
- Before connecting your freezer, ensure that the information on the data plate (voltage and connected load) matches that of the mains electricity supply. If in doubt, consult a qualified electrician.
- Insert the plug into a socket with an efficient ground connection. If the socket has no ground contact or the plug does not match, we recommend you consult a qualified electrician for assistance.
- The appliance must be connected with a properly installed fused socket. The power supply (AC) and voltage at the operating point must match with the details on the name plate of the appliance (the name plate is located on the inside left of the appliance).
- We do not accept responsibility for any damages that occur due to ungrounded usage.
- Place your freezer where it will not be exposed to direct sunlight.
- Your freezer must never be used outdoors or exposed to rain.
- Your appliance must be at least 50 cm away from stoves, gas ovens and heater cores, and at least 5 cm away from electrical ovens.
- If your freezer is placed next to a deep freezer, there must be at least 2 cm between them to prevent humidity forming on the outer surface.
- Do not cover the body or top of freezer with lace. This will affect the performance of your freezer.
- Clearance of at least 150 mm is required

at the top of your appliance. Do not place anything on top of your appliance.

- Do not place heavy items on the appliance.
- Clean the appliance thoroughly before use (see Cleaning and Maintenance).
- Before using your freezer, wipe all parts with a solution of warm water and a teaspoon of sodium bicarbonate. Then, rinse with clean water and dry. Return all parts to the freezer after cleaning.
- Use the adjustable front legs to make sure your appliance is level and stable. You can adjust the legs by turning them in either direction. This must be done before placing food in the appliance.
- Install the two plastic distance guides (the parts on the black vanes -condenser- at the rear) by turning it 90° (as shown in the figure) to prevent the condenser from touching the wall.
- The distance between the appliance and back wall must be a maximum of 75 mm.



1.3 During Usage

- Do not connect your freezer to the mains electricity supply using an extension lead.
- Do not use damaged, torn or old plugs.
- Do not pull, bend or damage the cord.
- Do not use plug adapter.
- This appliance is designed for use by adults. Do not allow children to play with the appliance or hang off the door.
- Never touch the power cord/plug with wet hands. This may cause a short circuit or electric shock.
- Do not place glass bottles or cans in your freezer as they will burst when the contents freeze.
- Do not place explosive or flammable material in your freezer.
- When removing ice from the ice-making compartment, do not touch it. Ice may cause frost burns and/or cuts.

- Do not touch frozen goods with wet hands. Do not eat ice-cream or ice cubes immediately after they are removed from the ice-making compartment.
- Do not re-freeze thawed frozen food. This may cause health issues such as food poisoning.

Old and Out-of-order Fridges

- If your old fridge or freezer has a lock, break or remove the lock before discarding it, because children may get trapped inside it and may cause an accident.
- Old fridges and freezers contain isolation material and refrigerant with CFC. Therefore, take care not to harm environment when you are discarding your old fridges.

CE Declaration of conformity

We declare that our products meet the applicable European Directives, Decisions and Regulations and the requirements listed in the standards referenced.

Disposal of your old appliance

The symbol on the product or on its packaging indicates that this product may not be treated as household waste. Instead it shall be handed over to the applicable collection point for the recycling of electrical and electronic equipment. By ensuring this product is disposed of correctly, you will help prevent potential negative consequences for the environment and human health, which could otherwise be caused by inappropriate waste handling of this product. For more detailed information about recycling of this product, please contact your local city office, your household waste disposal service or the shop where you purchased the product.



Packaging and the Environment

Packaging materials protect your machine from damage that may occur during transportation. The packaging materials are environmentally friendly as they are recyclable. The use of recycled material



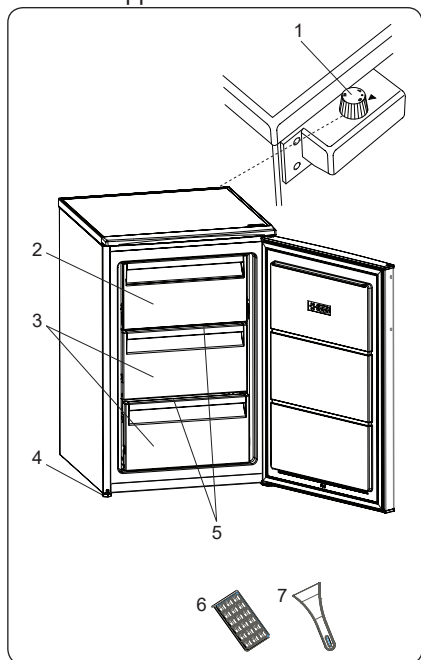
reduces raw material consumption and therefore decreases waste production.


Notes:

- Please read the instruction manual carefully before installing and using your appliance. We are not responsible for the damage occurred due to misuse.
- Follow all instructions on your appliance and instruction manual, and keep this manual in a safe place to resolve the problems that may occur in the future.
- This appliance is produced to be used in homes and it can only be used in domestic environments and for the specified purposes. It is not suitable for commercial or common use. Such use will cause the guarantee of the appliance to be cancelled and our company will not be responsible for any losses incurred.
- This appliance is produced to be used in houses and it is only suitable for cooling / storing foods. It is not suitable for commercial or common use and/or for storing substances except for food. Our company is not responsible for any losses incurred by inappropriate usage of the appliance.

2 DESCRIPTION OF THE APPLIANCE

This appliance is not intended to be used as a built-in appliance.



 This presentation is only for information about the parts of the appliance. Parts may vary according to the appliance model.

- 1) Thermostat knob
- 2) Freezer upper flap / Freezer upper drawer
- 3) Freezer drawers
- 4) Levelling feet
- 5) Freezer glass shelves *
- 6) Ice box tray
- 7) Plastic ice scraper *

** In some models*

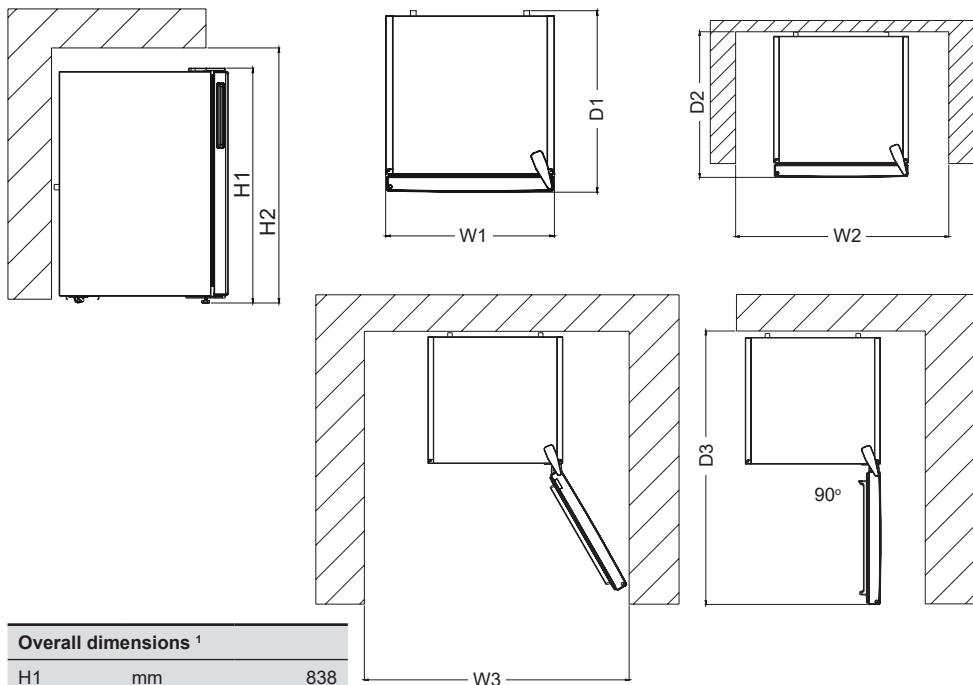
About freezer glass shelves: When the freezer is unpacked, both two of the freezer glass shelves may be in the lower freezer shelf position. In this situation, remove the bigger shelf and place it on the upper shelf

position.

General notes:

Freezer Compartment (Freezer): Most Efficient use of energy is ensured in the configuration with the drawers and bins are on stock position.

2.1 Dimensions



Overall dimensions ¹		
H1	mm	838
W1	mm	540
D1	mm	615

¹ the height, width and depth of the appliance without the handle.

Space required in use ²		
H2	mm	988
W2	mm	640
D2	mm	712,8

² the height, width and depth of the appliance including the handle, plus the space necessary for free circulation of the cooling air.

Overall space required in use ³		
W3	mm	658,5
D3	mm	1109,5

³ the height, width and depth of the appliance including the handle, plus the space necessary for free circulation of the cooling air, plus the space necessary to allow door opening to the minimum angle permitting removal of all internal equipment.


3 USING THE APPLIANCE

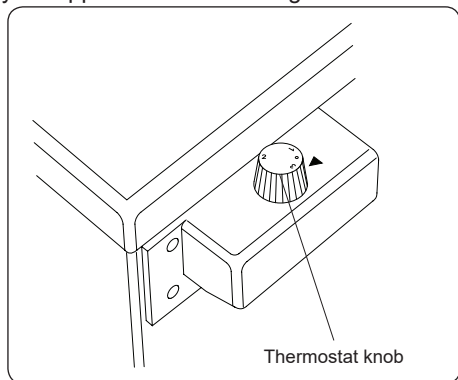
3.1 Information on Less Frost Technology

Thanks to the wrap around evaporator, Less Frost technology offers more efficient cooling, less manual defrost requirement, and more flexible storage room.

3.2 Thermostat Setting

The thermostat automatically regulates the temperature inside the cooler and freezer compartments. Refrigerator temperatures can be obtained by rotating the knob to higher numbers; 1 to 3, 1 to 5 or SF (Maximum numbers on the thermostat depends on your product.)

 **Important note:** Do not try to rotate the knob beyond position 1, it will stop your appliance from working.



Thermostat Settings

- 1: For short-term storage of food
 - 2: For long-term storage of food
 - 3 : Maximum cooling position. The appliance will work longer. If required, change the temperature setting.
- Temperature Settings Warnings
- Your appliance is designed to operate in the ambient temperature ranges stated in the standards, according to the climate class stated in the information label. It is not recommended that your fridge is operated in the environments which are outside of the stated temperature ranges.

This will reduce the cooling efficiency of the appliance.

- Temperature adjustments should be made according to the frequency of door openings, the quantity of food kept inside the appliance and the ambient temperature in the location of your appliance.
- When the appliance is first switched on, allow it to run for 24 hours in order to reach operating temperature. During this time, do not open the door and do not keep a large quantity of food inside.
- A 5 minute delay function is applied to prevent damage to the compressor of your appliance when connecting or disconnecting to mains, or when an energy breakdown occurs. Your appliance will begin to operate normally after 5 minutes.

Climate class and meaning:

T (tropical): This refrigerating appliance is intended to be used at ambient temperatures ranging from 16 °C to 43 °C.

ST (subtropical): This refrigerating appliance is intended to be used at ambient temperatures ranging from 16 °C to 38 °C.

N (temperate): This refrigerating appliance is intended to be used at ambient temperatures ranging from 16 °C to 32 °C.

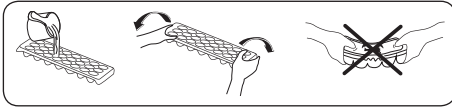
SN (extended temperate): This refrigerating appliance is intended to be used at ambient temperatures ranging from 10 °C to 32 °C.

3.3 Accessories

Visual and text descriptions in the accessories section may vary according to the model of your appliance.

3.3.1 Ice Tray (In some models)

- Fill the ice tray with water and place in the freezer compartment.
- After the water has completely frozen, you can twist the tray as shown below to remove the ice cubes.



3.3.2 The Plastic Scraper (In some models)

After some time, frost will build up in certain areas of the freezer. The frost accumulated in the freezer should be removed regularly. Use the plastic scraper provided, if necessary. Do not use sharp metal objects for this operation. They could puncture the refrigerator circuit and cause irreparable damage to the unit.

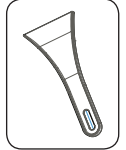
Visual and text descriptions in the accessories section may vary according to the model of your appliance.

4 FOOD STORAGE

- The freezer is used for storing frozen food, freezing fresh food, and making ice cubes.
- Food in liquid form should be frozen in plastic cups and other food should be frozen in plastic folios or bags. For freezing fresh food; wrap and seal fresh food properly, that is the packaging should be air tight and shouldn't leak. Special freezer bags, aluminum foil polythene bags and plastic containers are ideal.
- Do not store fresh food next to frozen food as it can thaw the frozen food.
- Before freezing fresh food, divide it into portions that can be consumed in one sitting.
- Consume thawed frozen food within a short period of time after defrosting
- Always follow the manufacturer's instructions on food packaging when storing frozen food. If no information is provided food, should not be stored for more than 3 months from the date of purchase.
- When purchasing frozen food, make sure that it has been stored under appropriate

conditions and that the packaging is not damaged.


- Frozen food should be transported in appropriate containers and placed in the freezer as soon as possible.
- Do not purchase frozen food if the packaging shows signs of humidity and abnormal swelling. It is probable that it has been stored at an unsuitable temperature and that the contents have deteriorated.




- The storage life of frozen food depends on the room temperature, the thermostat setting, how often the door is opened, the type of food, and the length of time required to transport the product from the shop to your home. Always follow the instructions printed on the packaging and never exceed the maximum storage life indicated.
- If the freezer door has been left open for a long time or not closed properly, frost will form and can prevent efficient air circulation. To resolve this, unplug the freezer and wait for it to defrost. Clean the freezer once it has fully defrosted.
- The freezer volume stated on the label is the volume without baskets, covers, and so on.
- Do not refreeze thawed food. It may pose a danger to your health and cause problems such as food poisoning.

NOTE: If you attempt to open the freezer door immediately after closing it, you will find that it will not open easily. This is normal. Once equilibrium has been reached, the door will open easily.

- Use the fast freezing shelf to freeze home cooking (and any other food which needs to be frozen quickly) more quickly because of the freezing shelf's greater freezing power. Fast freezing shelf is the bottom drawer of the freezer compartment.

 The table below is a quick guide to show you the most efficient way to store the major food groups in your freezer compartment.

Meat and fish	Preparation	Maximum storage time (months)
Steak	Wrap in foil	6 - 8
Lamb meat	Wrap in foil	6 - 8
Veal roast	Wrap in foil	6 - 8
Veal cubes	In small pieces	6 - 8
Lamb cubes	In pieces	4 - 8
Minced meat	In packaging without using spices	1 - 3
Giblets (pieces)	In pieces	1 - 3
Bologna sausage/salami	Should be kept packaged even if it has a membrane	1 - 3
Chicken and turkey	Wrap in foil	4 - 6
Goose and duck	Wrap in foil	4 - 6
Deer, rabbit, wild boar	In 2.5 kg portions or as fillets	6 - 8
Freshwater fish (Salmon, Carp, Crane, Catfish)	After cleaning the bowels and scales of the fish, wash and dry it. If necessary, remove the tail and head.	2
Lean fish (Bass, Turbot, Flounder)		4
Fatty fishes (Tuna, Mackerel, Bluefish, Anchovy)		2 - 4
Shellfish	Clean and in a bag	4 - 6
Caviar	In its packaging, or in an aluminium or plastic container	2 - 3
Snails	In salty water, or in an aluminium or plastic container	3
 NOTE: Thawed frozen meat should be cooked as fresh meat. If the meat is not cooked after defrosting, it must not be re-frozen.		




Vegetables and Fruits	Preparation	Maximum storage time (months)
String beans and beans	Wash, cut into small pieces and boil in water	10 - 13
Beans	Hull, wash and boil in water	12
Cabbage	Clean and boil in water	6 - 8
Carrot	Clean, cut into slices and boil in water	12
Pepper	Cut the stem, cut into two pieces, remove the core and boil in water	8 - 10
Spinach	Wash and boil in water	6 - 9
Cauliflower	Remove the leaves, cut the heart into pieces and leave it in water with a little lemon juice for a while	10 - 12
Eggplant	Cut into pieces of 2cm after washing	10 - 12
Corn	Clean and pack with its stem or as sweet corn	12
Apple and pear	Peel and slice	8 - 10
Apricot and Peach	Cut into two pieces and remove the stone	4 - 6
Strawberry and Blackberry	Wash and hull	8 - 12

Vegetables and Fruits	Preparation	Maximum storage time (months)
Cooked fruits	Add 10 % of sugar to the container	12
Plum, cherry, sourberry	Wash and hull the stems	8 - 12

	Maximum storage time (months)	Thawing time at room temperature (hours)	Thawing time in oven (minutes)
Bread	4 - 6	2 - 3	4-5 (220-225 °C)
Biscuits	3 - 6	1 - 1,5	5-8 (190-200 °C)
Pastry	1 - 3	2 - 3	5-10 (200-225 °C)
Pie	1 - 1,5	3 - 4	5-8 (190-200 °C)
Phyllo dough	2 - 3	1 - 1,5	5-8 (190-200 °C)
Pizza	2 - 3	2 - 4	15-20 (200 °C)

Dairy products	Preparation	Maximum storage time (months)	Storage conditions
Packet (Homogenized) Milk	In its own packet	2 - 3	Pure Milk – in its own packet
Cheese - excluding white cheese	In slices	6 - 8	Original packaging may be used for short-term storage. Keep wrapped in foil for longer periods.
Butter, margarine	In its packaging	6	

5 CLEANING AND MAINTENANCE

-  Disconnect the unit from the power supply before cleaning.
-  Do not wash your appliance by pouring water on it.
-  Do not use abrasive products, detergents or soaps for cleaning the appliance. After washing, rinse with clean water and dry carefully. When you have finished cleaning, reconnect the plug to the mains supply with dry hands.
- Make sure that no water enters the lamp housing and other electrical components.
- The appliance should be cleaned regularly using a solution of bicarbonate of soda and lukewarm water.
- Clean the accessories separately by hand with soap and water. Do not wash accessories in a dish washer.
- Clean the condenser with a brush at least twice a year. This will help you to save on energy costs and increase productivity.

  The power supply must be disconnected during cleaning.

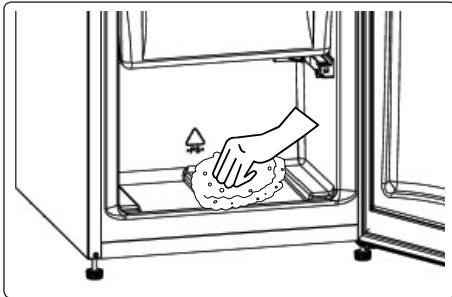
5.1 Defrosting

Freezer defrosting process

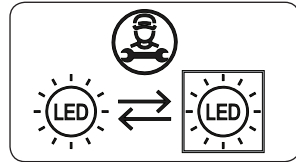
- Small amounts of frost will accumulate inside the freezer, depending on the length of time the door may be left open or the amount of moisture introduced. It is essential to ensure that no frost or ice is allowed to form in places where it will affect the close fitting of the door seal. This might allow air to penetrate the cabinet, encouraging continuous running of the compressor. Thin frost formation is quite soft and can be removed with a brush or plastic scraper. Do not use metal or sharp scrapers, mechanical devices or other means to accelerate the defrosting process. Remove all dislodged frost from the cabinet floor. It is not necessary to switch off the appliance for the removal of thin frost.
- For the removal of heavy ice deposits,

disconnect the appliance from the mains supply, empty the contents into cardboard boxes and wrap in thick blankets or layers of paper to keep cool. Defrosting will be most effective if carried out when the freezer is nearly empty and should be carried out as quickly as possible to prevent an unnecessary increase in the temperature of the contents.

- Do not use metal or sharp scrapers, mechanical devices or other means to accelerate the defrosting process. An increase in temperature of frozen food during defrosting will shorten the storage life. Keep contents well wrapped and cool while defrosting is taking place.



- Dry the inside of the compartment with a sponge or a clean cloth.
- To accelerate the defrosting process, place one or more bowls of warm water in the freezer compartment.
- Examine the contents when replacing them in the freezer and if some of the packages have thawed out, they should be eaten within 24 hours, or be cooked and re-frozen.
- After defrosting is complete, clean the inside of the appliance with a solution of warm water and a little bicarbonate of soda, then dry thoroughly. Wash all removable parts in the same way and reassemble. Reconnect the appliance to the mains supply and leave for 2 to 3 hours on setting number MAX before introducing the food back into the freezer.



If product equipped with LED lamp

This product contains a light source of energy efficiency class <E>.


If product equipped with LED Strip(s) or LED card(s)

This product contains a light source of energy efficiency class <F>.

6 SHIPMENT AND REPOSITIONING

6.1 Transportation and Changing Positioning

- The original packaging and foam may be kept for re-transportation (optional).
- Fasten your appliance with thick packaging, bands or strong cords and follow the instructions for transportation on the packaging.
- Remove all movable parts or fix them into the appliance against shocks using bands when re-positioning or transporting.

 Always carry your appliance in the upright position.

6.2 Repositioning the Door

- It is not possible to change the opening direction of your appliance door if door handles are installed on the front surface of the appliance door.
- It is possible to change the opening direction of the door on models with handle on the side of the door or without handles.
- If the door-opening direction of your appliance can be changed, contact the nearest Authorised Service Centre to change the opening direction.

7 BEFORE CALLING AFTER-SALES SERVICE

If you are experiencing a problem with your **appliance**, please check the following before contacting the after-sales service.

Your appliance is not operating

Check if:

- There is power
- The plug is correctly placed in the socket
- The plug fuse or the mains fuse has blown
- The socket is defective. To check this, plug another working appliance into the same socket.

The appliance performs poorly

Check if:

- The appliance is overloaded
- The appliance door is closed properly
- There is any dust on the condenser
- There is enough space near the rear and side walls.

Your appliance is operating noisily

Normal noises

Cracking noise occurs:

- During automatic defrosting
- When the appliance is cooled or warmed (due to expansion of appliance material).

Short cracking noise occurs: When the thermostat switches the compressor on/off.

Motor noise: Indicates the compressor is operating normally. The compressor may cause more noise for a short time when it is first activated.

Bubbling noise and splash occurs:

Due to the flow of the refrigerant in the tubes of the system.

Water flowing noise occurs: Due to water flowing to the evaporation container. This noise is normal during defrosting.

Air blowing noise occurs: In some models during normal operation of the system due to the circulation of air.

The edges of the appliance in contact

with the door joint are warm

Especially during summer (warm seasons), the surfaces in contact with the door joint may become warmer during the operation of the compressor, this is normal.

There is a build-up of humidity inside the appliance

Check if:

- All food is packed properly. Containers must be dry before being placed in the **appliance**.
- The **appliance** door is opened frequently. Humidity of the room enters the **appliance** when the doors are opened. Humidity increases faster when the doors are opened more frequently, especially if the humidity of the room is high.

The door does not open or close properly

Check if:

- There is food or packaging preventing the door from closing
- The door joints are broken or torn
- Your **appliance** is on a level surface.

Recommendations

- If the appliance is switched off or unplugged, wait at least 5 minutes before plugging the appliance in or restarting it in order to prevent damage to the compressor.
- If you will not use your appliance for a long time (e.g. in summer holidays) unplug it. Clean your appliance according to chapter cleaning and leave the door open to prevent humidity and smell.
- If a problem persists after you have followed all the above instructions, please consult the nearest authorised service centre.
- The appliance you have purchased is designed for domestic use only. It is not suitable for commercial or common use. If the consumer uses the appliance in a way that does not comply with this, we emphasise that the manufacturer and the dealer will not be responsible for any repair and failure within the guarantee period.

8 TIPS FOR SAVING ENERGY

1. Install the appliance in a cool, well-ventilated room, but not in direct sunlight and not near a heat source (such as a radiator or oven) otherwise an insulating plate should be used.
2. Allow warm food and drinks to cool before placing them inside the appliance.
3. Place thawing food in the refrigerator compartment if available. The low temperature of the frozen food will help cool the refrigerator compartment while the food is thawing. This will save energy. Frozen food left to thaw outside of the appliance will result in a waste of energy.
4. Drinks or other liquids should be covered when inside the appliance. If left uncovered, the humidity inside the appliance will increase, therefore the appliance uses more energy. Keeping drinks and other liquids covered helps preserve their smell and taste.
5. Avoid keeping the doors open for long periods and opening the doors too frequently as warm air will enter the appliance and cause the compressor to switch on unnecessarily often.
6. Keep the covers of the different temperature compartments (such as the crisper and chiller if available) closed.
7. The door gasket must be clean and pliable. In case of wear, replace the gasket.
8. It is possible to store more food by removing freezer shelf. Energy consumption is declared with maximum load and without freezer shelf.

9 TECHNICAL DATA

The technical information is situated in the rating plate on the internal side of the appliance and on the energy label.

The QR code on the energy label supplied with the appliance provides a web link to the information related to the performance of the appliance in the EU EPREL database.

Keep the energy label for reference together with the user manual and all other documents provided with this appliance. It is also possible to find the same information in EPREL using the link <https://eprel.ec.europa.eu> and the model name and product number that you find on the rating plate, the appliance. See the link www.theenergylabel.eu for detailed information about the energy label.

10 INFORMATION FOR TEST INSTITUTES

Appliance for any EcoDesign verification shall be compliant with EN 62552. Ventilation requirements, recess dimensions and minimum rear clearances shall be as stated in this User Manual at Chapter 2. Please contact the manufacturer for any other further information, including loading plans.

11 CUSTOMER CARE AND SERVICE




Always use original spare parts. When contacting our Authorised Service Centre, ensure that you have the following data available: Model, Serial Number and Service Index. The information can be found on the rating plate. You can find the rating label inside the fridge zone on the left lower side. The original spare parts for some specific components are available for a minimum of 7 or 10 years, based on the type of component, from the placing on the market of the last unit of the model.

Visit our website to:
www.romo.cz

Děkujeme, že jste si zakoupili tento produkt!

Tento návod k použití obsahuje důležité bezpečnostní informace a pokyny ke správné obsluze a údržbě Vašeho spotřebiče.

Přečtěte si prosím pozorně tento návod před tím, než začnete spotřebič používat, a uschovejte ho pro případné budoucí použití.

Ikona	Typ	Význam
	VAROVÁNÍ	Vážné riziko nebo smrtelné nebezpečí
	NEBEZPEČÍ ÚRAZU ELEKTRICKÝM PROUDEM	Riziko nebezpečného napětí
	POŽÁR	Varování; Riziko požáru / hořlavých materiálů
	UPOZORNĚNÍ	Riziko úrazu nebo škody na majetku
	DŮLEŽITÉ	Správné obsluhování systému

OBSAH

1 BEZPEČNOSTNÍ POKYNY	21
1.1 Obecná bezpečnostní upozornění	21
1.2 Upozornění ohledně instalace	25
1.3 Během provozu	25
2 POPIS SPOTŘEBIČE	27
2.1 Rozměry	28
3 POUŽÍVÁNÍ SPOTŘEBIČE	29
3.1 Informace o technologii Less Frošt	29
3.2 Nastavení termostatu	29
3.3 Příslušenství	29
3.3.1 Zásobník na led (<i>u některých modelů</i>)	29
3.3.2 Plastová škrabka (<i>u některých modelů</i>)	30
4 SKLADOVÁNÍ POTRAVIN	30
5 ČIŠTĚNÍ A ÚDRŽBA	32
5.1 Odmrazování	32
6 DOPRAVA A PŘEMÍSTĚNÍ	33
6.1 Přeprava a přemístění	33
6.2 Přemístění dveří	33
7 NEŽ SE OBRÁTÍTE NA POPRODEJNÍ SERVIS	34
8 TIPY PRO ÚSPORU ENERGIE	35
9 TECHNICKÉ ÚDAJE	35
10 INFORMACE PRO ZKUŠEBNÍ INSTITUTY	35
11 PÉČE O ZÁKAZNÍKY A SERVIS	35

1 BEZPEČNOSTNÍ POKYNY

1.1 Obecná bezpečnostní upozornění

Pozorně si přečtete tento návod k použití.

⚠ VAROVÁNÍ: Větrací otvory, na krytu spotřebiče nebo konstrukci, udržujte bez překážek.

⚠ VAROVÁNÍ: Nepoužívejte mechanické nástroje nebo jiné prostředky k urychlení procesu odmrazení s výjimkou těch, které doporučuje výrobce.

⚠ VAROVÁNÍ: V prostoru pro skladování potravin nepoužívejte elektrické spotřebiče, s výjimkou těch, které doporučuje výrobce.

⚠ VAROVÁNÍ: Nepoškodte chladicí okruh.

⚠ VAROVÁNÍ: Když umístíte spotřebič, ujistěte se, že není elektrický kabel zauzlovaný nebo poškozený.

⚠ VAROVÁNÍ: Neumístujte žádné vícenásobné rozbočovací zásuvky ani přenosné zdroje napájení na zadní část spotřebiče.

⚠ VAROVÁNÍ: Abyste předešli nebezpečí z důvodu nestability spotřebiče, je třeba jej upevnit v souladu s pokyny.

⚠ Pokud vaše chladnička používá jako chladivo R600a (bude to vyznačeno na štítku na chladničce) musíte si dát pozor během přepravy a instalace, aby nedošlo k poškození chladících prvků spotřebiče. I když je R600a ekologický a přírodní plyn, je výbušný. Pokud dojde k velkému úniku z důvodu poškození chladících prvků, přemístěte chladničku od otevřeného

ohně nebo zdrojů tepla a místnost, v níž je spotřebič umístěný, několik minut větrejte.

- Během přenášení a umístování chladničky dejte pozor, abyste nepoškodili chladicí okruh plynu.
- Neskladujte výbušné substance, např. plechovky s aerosolem, neboť ty mohou v tomto spotřebiči způsobit vznik požáru.
- Tento spotřebič je určený k použití v domácnosti a podobných zařízeních, např.:
 - kuchyňky pro zaměstnance v obchodech, kancelářích a ostatních pracovních prostředích.
 - pro klienty v hotelech, motelech a ostatních obytných prostorech.
 - pro klienty v penzionech;
 - pro catering a ostatní podobná prostředí.
- Pokud zásuvka neodpovídá zástrčce chladničky, musí ji vyměnit výrobce, jeho servis nebo obdobně kvalifikované osoby, aby se tak předešlo nebezpečí.
- Speciálně uzemněná zástrčka byla připojena k napájecímu kabelu vaší chladničky. Tato zástrčka musí být použita se speciálně uzemněnou zástrčkou s 16 ampéry. Nemáte-li doma takovou zástrčku, nechte ji nainstalovat autorizovaným elektrikářem.
- Tento spotřebič mohou používat děti starší 8 let a osoby s omezenými tělesnými, smyslovými nebo mentálními schopnostmi anebo osoby bez příslušných znalostí a zkušeností, pokud jsou pod dozorem nebo byly poučeny o bezpečném užívání

tohoto spotřebiče a chápou související nebezpečí. Děti si nesmí se spotřebičem hrát. Čištění a údržba nesmí být prováděny dětmi bez dohledu dospělé osoby.

- Děti ve věku od 3 do 8 let smí nakládat a vykládat chladicí spotřebiče. Děti nemají provádět údržbu nebo čištění spotřebiče, velmi malé děti (0 – 3 let) nemají používat spotřebič, malé děti (3 – 8 let) nemají používat spotřebič, pokud jsou bez stálého dozoru, starší děti (8 – 14 let) a lidé s omezenými fyzickými nebo duševními schopnostmi mohou používat spotřebiče bezpečně, pokud jsou pod dozorem nebo byli o bezpečném použití spotřebiče náležitě instruováni. Lidé s omezenými schopnostmi nesmí používat spotřebič, pokud nejsou pod stálým dozorem.
- Pokud je poškozený napájecí kabel, musí jej vyměnit výrobce, jeho servisní středisko nebo osoby podobně kvalifikované, aby se předešlo riziku.
- Tento spotřebič není určen k použití v nadmořských výškách nad 2000 m.

Aby nedošlo ke kontaminaci jídla, dodržujte prosím následující pokyny:

- Ponechání dveří v otevřeném stavu po dlouhou dobu může způsobit výrazný nárůst teploty uvnitř spotřebiče.
- Pravidelně očišťujte povrchy, které přichází do kontaktu s jídlem, a také přístupné odtokové systémy.

- Syrové maso a ryby uchovávejte v chladničce ve vhodných kontejnerech, aby nedocházelo k jejich kontaktu s jinými potravinami nebo ukápnutí na ně.
- Oddělení pro mražené potraviny označená dvěma hvězdičkami jsou vhodná pro uchovávání předem zmražených potravin, uchovávání nebo výrobu zmrzliny a výrobu ledových kostek.
- Oddělení označená jednou, dvěma nebo třemi hvězdičkami nejsou vhodná pro zmrazení čerstvého jídla.
- Pokud je chladnička ponechána po dlouhou dobu prázdná, je nutné ji vypnout, rozmrazit, očistit, osušit a ponechat dvířka otevřená, abyste zabránili tvorbě plísní uvnitř spotřebiče.

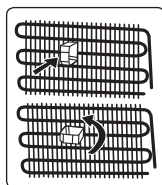
1.2 Upozornění ohledně instalace

Před prvním použitím mrazničky věnujte pozornost následujícím bodům:

- Provozní napětí vaší mrazničky je 220-240 V při 50Hz.
- Zástrčka musí být po instalaci snadno dostupná.
- Při prvním uvedení mrazničky do provozu se může objevit zápach. To je normální a zápach začne mizet, jakmile se mraznička začne ochlazovat.
- Před připojením mrazničky se ujistěte, že údaje na typovém štítku (napětí a připojená zátěž) odpovídají údajům o napájení ze sítě. V případě pochybností se obraťte na kvalifikovaného elektrikáře.
- Zástrčku zapojte do zásuvky s účinným uzemněním. Není-li zásuvka uzemněna, nebo pokud zástrčka nepasuje, doporučujeme, abyste o pomoc požádali autorizovaného elektrikáře.
- Spotřebič musí být zapojen do řádně instalované zásuvky s pojistkou. Napájení (AC) a napětí musí odpovídat údajům na typovém štítku spotřebiče (typový štítek se nachází v levé vnitřní části spotřebiče).
- Neneseme zodpovědnost za škody, k nimž může dojít z důvodu neuzemněného použití.
- Mrazničku umístěte na místo, kde nebude vystavena přímému slunečnímu světlu.
- Mraznička se nesmí nikdy používat venku nebo být vystavena dešti.
- Chladnička musí být umístěna minimálně 50 cm od trouby, plynové trouby nebo hořáků a musí být minimálně 5 cm od elektrické trouby.
- Když je vaše mraznička umístěna blízko mrazáku, musí být mezi nimi vzdálenost minimálně 2 cm, aby se předešlo vzniku vlhkosti na vnějším povrchu.
- Kryt ani horní část mrazničky nezakrývejte pokrývkou. To ovlivní výkon vaší mrazničky.
- Požaduje se minimálně 150 mm volného

prostoru nad vrchní částí spotřebiče. Na vrchní část spotřebiče nic nepokládejte.

- Na spotřebič nestavte těžké předměty.
- Spotřebič před použitím důkladně vyčistěte (viz Čištění a Údržba).
- Před uvedením mrazničky do provozu otřete všechny části roztokem teplé vody a lžičkou hydrogenuhličitanu sodného. Poté opláchněte čistou vodou a osušte. Po vyčištění všechny díly vraťte do mrazničky.
- Pomocí nastavitelných předních nožek se ujistěte, že je chladnička ve vodorovné poloze a stabilní. Nožky můžete upravit otočením v obou směrech. To musí být provedeno před vložením potravin do chladničky.
- Nainstalujte plastovou rozpěrku (na černé mřížce - kondenzátoru - vzadu) otočením o 90° jak je zobrazeno na obrázku, abyste předešli dotykání kondenzátoru stěny.
- Vzdálenost mezi spotřebičem a zadní stěnou musí činit maximálně 75 mm.



1.3 Během provozu

- Nepřipojujte mrazničku k elektrické síti pomocí prodlužovacího kabelu.
- Nezapojujte do poškozených, opotřebených nebo starých zástrček.
- Netahejte, nelámejte ani nepoškozujte kabel.
- Nepoužívejte rozbočovače.
- Tento spotřebič je určen k použití dospělými osobami. Nedovolte dětem hrát si se spotřebičem ani se věšet za dveře.
- Nikdy se nedotýkejte napájecího kabelu / zástrčky mokřkýma rukama. Může to způsobit zkrat nebo úraz elektrickým proudem.
- Nedávejte do mrazničky skleněné lahve ani plechovky, protože by po zmrazení obsahu praskly.
- Nevkládejte do mrazničky hořlavé nebo

výbušné materiály.

- Při odeírání ledu z oddělení na výrobu ledu se ho nedotýkejte. Led může způsobit popáleniny nebo řezné rány.
- Nedotýkejte se zmražených výrobků mokryma rukama. Nejezte zmrzlinu ani kostky ledu bezprostředně po jejich vyjmutí z oddělení na výrobu ledu.
- Rozmražené potraviny znovu nezmrazujte. Mohlo by to způsobit zdravotní problémy, např. otravu jídlem.

Staré a nefunkční chladničky

- Má-li vaše stará chladnička nebo mraznička zámek, odstraňte ho před likvidací neboť děti se do něj mohou zachytit a může dojít k nehodě.
- Staré chladničky a mrazničky obsahují izolační materiál a chladivo s CFC. Při likvidaci starých chladniček proto dávejte pozor, abyste nepoškodili životní prostředí.

Prohlášení o shodě (CE)

Prohlašujeme, že naše výrobky splňují příslušné evropské směrnice, rozhodnutí a nařízení a požadavky uvedené v odkazovaných normách.

Likvidace starého spotřebiče

Tento symbol uvedený na výrobku nebo na jeho obalu znamená, že s daným výrobkem nelze zacházet jako s běžným domácím odpadem. Místo toho musí být odevzdán na příslušném sběrném místě pro recyklaci elektrických a elektronických zařízení. Zajištěním správné likvidace tohoto výrobku pomůžete zabránit případným negativním dopadům na životní prostředí a lidské zdraví, které by jinak byly způsobeny nevhodnou likvidací výrobku. Podrobnější informace o recyklaci tohoto produktu získáte na vašem místním úřadě, ve společnosti zajišťující likvidaci odpadu nebo v obchodě, ve kterém jste produkt zakoupili.

Obaly a životní prostředí

Obalové materiály chrání váš spotřebič před poškozením, které může nastat během přepravy.



Obalové materiály jsou šetrné k životnímu prostředí, protože jsou recyklovatelné. Použití recyklovaného materiálu snižuje spotřebu surovin, a proto snižuje produkci odpadu.

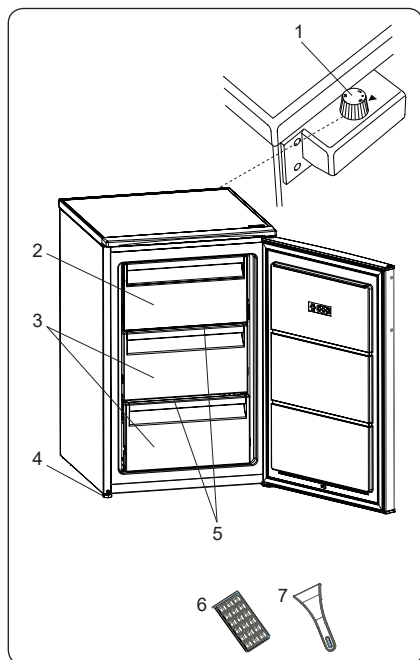
Poznámky:


- Před instalací a použitím vašeho spotřebiče si pečlivě přečtete návod k použití. Nezodpovídáme za škody způsobené špatným použitím.
- Řiďte se všemi pokyny na našem spotřebiči a v návodu k použití a tento návod uchovejte na bezpečném místě, abyste mohli vyřešit problémy, k nimž může dojít v budoucnosti.
- Tento spotřebič je vyroben pro použití v domácnostech a lze ho použít pouze doma a pro specifikované účely. Nehodí se pro komerční použití. Na takové použití nebude uplatněna záruka a naše společnost neponese odpovědnost za případné ztráty.
- Tento spotřebič je vyrobený k použití v domácnostech a musí být použit pouze pro chlazení / skladování potravin. Není vhodný pro komerční nebo společné používání a/nebo pro skladování látek s výjimkou potravin. Naše společnost není odpovědná za jakékoli ztráty vzniklé nevhodným používáním spotřebiče.

2 POPIS SPOTŘEBIČE

Tento spotřebič není určen k použití jako vestavěné zařízení.

je zajištěno v konfiguraci se zásuvkami a zásobníky ve skladové pozici.



 Tato prezentace je pouze informativní a týká se součástí spotřebiče. Součásti se mohou lišit podle modelu spotřebiče.

- 1) Kolečko termostatu
- 2) Horní zásuvka mrazničky / kryt
- 3) Zásuvky v mrazničce
- 4) Vyrovnávací nožky
- 5) Skleněné poličky v mrazničce *
- 6) Zásobník na led
- 7) Plastová škrabka na led *

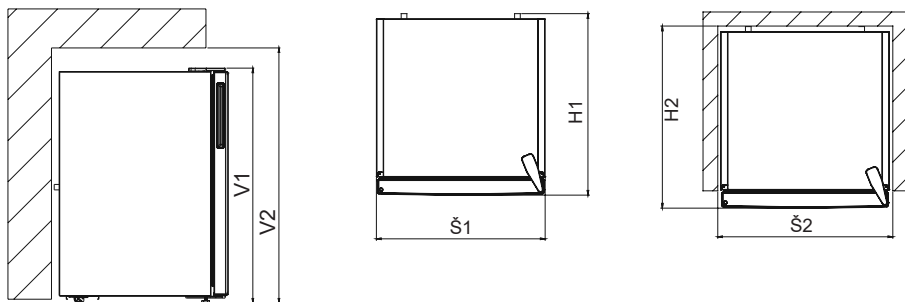
** u některých modelů*

Skleněné poličky v mrazničce: Po vybalení mrazničky, mohou být obě dvě skleněné poličky v dolní poloze. V takovém případě vyjměte větší poličku a dejte ji na místo horní poličky.

Obecné poznámky:

Oddělení pro zmrazené potraviny (Mraznička): Nejúčinnější využití energie

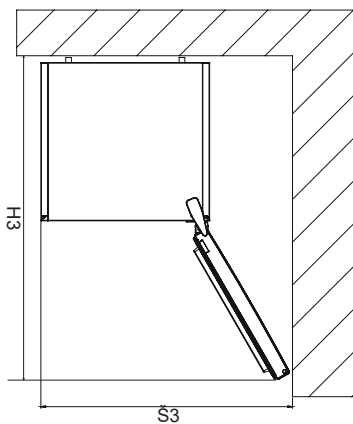
2.1 Rozměry



Celkové rozměry ¹		
H1	mm	838
W1	mm	540
D1	mm	615

Prostor vyžadovaný v provozu ²		
H2	mm	988
W2	mm	640
D2	mm	712,8

Celkový prostor vyžadovaný v provozu ³		
W3	mm	658,5
D3	mm	1109,5




3 POUŽÍVÁNÍ SPOTŘEBIČE

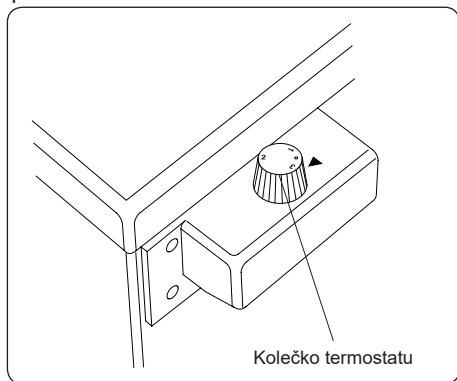
3.1 Informace o technologii Less Frost

Díky obalu kolem výparníku technologie Less Frost umožňuje efektivnější chlazení, menší potřebu ručního rozmrazování a větší flexibilitu skladovacího prostoru.

3.2 Nastavení termostatu

Termostat automaticky reguluje teplotu v prostoru chladničky a mrazničky. Teplotu v chladničce lze nastavit otočením kolečka na vyšší hodnoty: 1 na 3, 1 na 5 nebo SF (maximální počet hodnot na termostatu závisí na vašem produktu.)

 **Důležitá poznámka:** Nepokoušejte se otáčet kolečkem za pozici 1, tím se spotřebič zastaví.



Nastavení termostatu

- 1: Pro krátkodobé skladování potravin
 - 2: Pro dlouhodobé skladování potravin
 - 3: Maximální pozice chlazení. Spotřebič bude pracovat déle. V případě potřeby změňte nastavení teploty. Upozornění při nastavení teploty
- Vaše chladnička je navržena tak, aby pracovala v intervalech uvedených ve standardech, v souladu s třídou uvedenou na informačním štítku. Nedoporučuje se, abyste chladničku spouštěli v prostředí mimo uvedené teplotní intervaly. To by ovlivnilo účinnost chlazení.
 - Nastavení teploty musí být provedeno

v souladu s frekvencí otevírání dveří, množstvím potravin uložených v chladničce a okolní teplotou.

- Při prvním zapnutí nechte chladničku běžet 24 hodin, aby dosáhla provozní teploty. Během této doby neotvírejte dveře a neskladujte uvnitř velké množství potravin.
- Funkce 5minutového zpoždění je aktivní, aby se zabránilo poškození kompresoru vašeho spotřebiče při připojování nebo odpojování od sítě nebo při výpadku energie. Vaše chladnička začne fungovat normálně po 5 minutách.

Klimatická třída a význam:

T (tropická): Tato chladnička je určena k použití při okolní teplotě od 16 °C do 43 °C.

ST (subtropická): Tato chladnička je určena k použití při okolní teplotě od 16 °C do 38 °C.

N (normální): Tato chladnička je určena k použití při okolní teplotě od 16 °C do 32 °C.

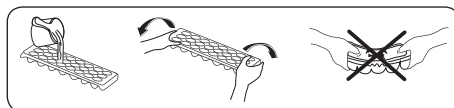
SN (subnormální): Tato chladnička je určena k použití při okolní teplotě od 10 °C do 32 °C.

3.3 Příslušenství

Vizuální a textové popisy na částí s příslušenstvím se mohou lišit podle modelu vašeho spotřebiče.

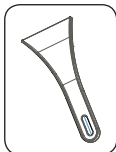
3.3.1 Zásobník na led (u některých modelů)

- Naplňte přihrádku na led vodou a vložte ji do prostoru mrazničky.
- Poté, co se voda zcela změní na led, můžete kostky ledu vyjmout z přihrádky podle následujícího obrázku.



3.3.2 Plastová škrabka (u některých modelů)

Po určité době se na určitých místech vytvoří námraza. Námraza, která se hromadí v mrazničce, se musí pravidelně odstraňovat. Je-li to nezbytné, použijte plastovou škrabku. K této činnosti nepoužívejte ostré kovové předměty. Mohly by prorazit okruh chladničky a způsobit nevratné poškození spotřebiče.



Vizuální a textové popisy na části s příslušenstvím se mohou lišit podle modelu vašeho spotřebiče.

4 SKLADOVÁNÍ POTRAVIN


- Mraznička se používá pro skladování mražených potravin, zmrazování čerstvých potravin a výrobu kostek ledu.
- Potraviny v tekuté formě by měly být zmrazeny v plastových kelímcích a jiné potraviny by měly být zmrazeny v plastových fóliích nebo sáčcích. Zabalte a řádně utěsněte čerstvé potraviny, to znamená, že obal by měl být vzduchotěsný a neměl by prosakovat. Ideální jsou speciální sáčky do mrazničky, alobal, polyetylenové sáčky a plastové nádoby.
- Čerstvé potraviny nekládejte do blízkosti zmražených potravin, neboť by mohlo dojít k rozmrazení potravin.
- Před zmrazením čerstvých potravin je rozdělte na porce, které lze najednou spotřebovat.
- Potraviny po rozmrazení spotřebujte během krátké doby.
- Při skladování mražených potravin vždy dodržujte pokyny výrobce na obalu. Nejsou-li uvedeny žádné informace, potraviny nesmí být skladovány déle než 3 měsíce od data nákupu.
- Když koupíte zmrazené potraviny, zkontrolujte, zda byly zmrazeny při

vhodných podmínkách a balení není poškozené.

- Zmrazené potraviny by měly být přepravovány ve vhodných nádobách a umístěny co nejdříve do mrazničky.
- Nekupujte mražené potraviny, pokud obal vykazuje známky vlhkosti nebo neobvyklé nafouknutí. Je pravděpodobné, že byly skladovány při nevhodné teplotě a stav obsahu se zhoršil.
- Délka uskladnění mražených potravin závisí na pokojové teplotě, nastavení termostatu, na tom, jak často se dvířka otevírají, jaký typ potravin to je a jaká je doba nutná pro přepravu výrobku z obchodu k vám domů. Vždy dodržujte pokyny na obalu a nikdy nepřekračujte maximální uvedenou délku uskladnění.
- Pokud zůstanou dveře mrazničky delší dobu otevřené nebo nejsou správně zavřené, vytvoří se námraza, která může bránit účinné cirkulaci vzduchu. Chcete-li problém vyřešit, odpojte mrazničku a počkejte, až se odmrazí. Po úplném odmrazení mrazničku vyčistěte.
- Objem mrazničky uvedený na štítku nezahrnuje zásuvky, kryty atd.
- Rozmrazené potraviny znovu nezmrazujte. Mohlo by vám to způsobit zdravotní problémy, např. otravu jídlem.

POZNÁMKA: Pokud se pokusíte otevřít dveře mrazničky ihned po jejich zavření, zjistíte, že se snadno neotevřou. To je normální. Jakmile je dosaženo rovnováhy, dveře se snadno otevřou.

- Použijte přihrádku pro rychlé mrazení, chcete-li zmrazit domácí pokrmy (a všechny další potraviny, které chcete rychle zmrazit) rychleji, díky většímu mrazicímu výkonu této poličky. Přihrádka pro rychlé mrazení je spodní zásuvka mrazničky.

 Níže uvedená tabulka slouží jako stručný průvodce, který vám ukáže nejúčinnější způsob, jak uložit hlavní skupiny potravin do mrazničky.

Maso a ryby	Příprava	Maximální délka skladování (měsíce)
Steak	Zabalte do fólie	6–8
Jehněčí maso	Zabalte do fólie	6–8
Telecí pečeně	Zabalte do fólie	6–8
Telecí kostky	Na malé kousky	6–8
Jehněčí kostky	Kousky	4–8
Mleté maso	V balíčcích, bez koření	1–3
Droby (kousky)	Kousky	1–3
Boloňský salám	Musí být zabalený, i když je v obalu	
Kuře a krůta	Zabalte do fólie	4–6
Husa a kachna	Zabalte do fólie	4–6
Jelen, zajíc, divoký kanec	Ve 2,5 kg porcích nebo jako filety	6–8
Čerstvé ryby (losos, kapr, sumec)	Po očištění a vykuchání rybu opláchněte a osušte. Je-li třeba, odřízněte ocasní ploutev a hlavu.	2
Libové ryby (okoun, platýs, kambala)		4
Tučné ryby (tuňák, makrela, luřara, ančovičky)		2–4
Korýši	Očištěné a v sáčku	4–6
Kaviár	Ve vlastním obalu, nebo v hliníkové nebo plastové nádobě	2–3
Šneci	Ve slané vodě, nebo v hliníkové nebo plastové nádobě	3



POZNÁMKA: Maso by mělo být po rozmrazení uvařeno. Pokud se maso po rozmrazení neuvaří, nesmí být znovu zmrazeno.




Zelenina a ovoce	Příprava	Maximální délka skladování (měsíce)
Fazolové lusky a fazole	Omyjte, nakrájejte na malé kousky a uvařte ve vodě	10–13
Fazole	Propláchněte a uvařte ve vodě	12
Zelí	Očistěte a uvařte ve vodě	6–8
Mrkev	Očistěte, nakrájejte na plátky a uvařte ve vodě	12
Paprika	Odstraňte stopku, rozřízněte na poloviny, vyjměte semínka a uvařte ve vodě	8–10
Špenát	Propláchněte a uvařte ve vodě	6–9
Květák	Odstraňte listy, květák nakrájejte na kousky, na chvíli ponořte do vody s několika kapkami citrónu	10–12
Lilek	Po omytí nakrájejte na 2 cm kousky	10–12
Kukuřice	Očistěte a zabalte jako klas nebo zrna	12
Jablko a hruška	Oloupejte a nakrájejte	8–10
Meruňka a broskev	Rozkrojte na poloviny a vyjměte pecku	4–6

Zelenina a ovoce	Příprava	Maximální délka skladování (měsíce)
Jahoda a borůvka	Omyjte a opláchněte	8–12
Vařené ovoce	Do nádoby přidejte 10 % cukru	12
Švestka, třešně, višně	Omyjte a očistěte	8–12

	Maximální délka skladování (měsíce)	Délka rozmrazování při pokojové teplotě (hodiny)	Délka rozmrazování v troubě (minuty)
Chléb	4–6	2–3	4–5 (220–225 °C)
Sušenky	3–6	1–1,5	5–8 (190–200 °C)
Pečivo	1–3	2–3	5–10 (200–225 °C)
Koláč	1–1,5	3–4	5–8 (190–200 °C)
Listové těsto	2–3	1–1,5	5–8 (190–200 °C)
Pizza	2–3	2–4	15–20 (200 °C)

Mléčné produkty	Příprava	Maximální délka skladování (měsíce)	Skladovací podmínky
Balené (homogenizované) mléko	Ve vlastním obalu	2–3	Čisté mléko – ve vlastním obalu
Sýr – vyjma tvarohu	Na plátky	6–8	Pro krátkodobé skladování lze použít původní obal. Pro dlouhodobější skladování je třeba ho zabalit do fólie.
Máslo, margarín	Ve vlastním obalu	6	

5 ČIŠTĚNÍ A ÚDRŽBA

-  Spotřebič před čištěním odpojte od napájení.
-  Spotřebič nečistěte tekoucí vodou.
-  K čištění spotřebiče nepoužívejte abrazivní prostředky, čisticí prostředky ani mýdla. Po umytí opláchněte čistou vodou a pečlivě vysušte. Po dokončení čištění znovu zapojte spotřebič do elektrické sítě, suchýma rukama.
- Dbejte na to, aby čisticí voda nevnikla do krytu žárovky a dalších elektrických součástí.
- Prostor spotřebiče je nutno pravidelně čistit pomocí roztoku jedlé sody a vlažné vody.
- Příslušenství čistěte samostatně v ruce mýdlem a vodou. Neumývejte příslušenství v myčce nádobí.
- Kondenzátor čistěte kartáčem nejméně

dvakrát ročně. To vám pomůže ušetřit náklady na energii a zvýšit produktivitu.

 **Během čištění musí být spotřebič odpojen od napájení.**

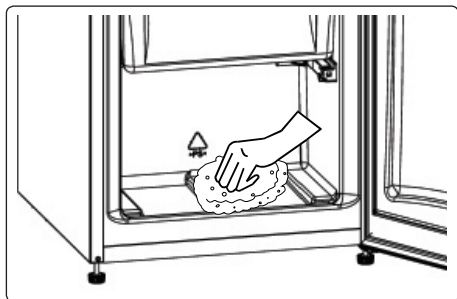
5.1 Odmrazování

Proces odmrazování mrazničky

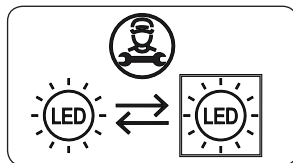
- Uvnitř mrazničky se nahromadí malé množství námrazy v závislosti na délce doby, kdy jsou dvířka otevřená nebo kolik vlhkosti vnikne dovnitř. Je nutné zajistit, aby se led nikdy netvořil na místech, kde by narušoval těsnění na dveřích. Mohlo by dojít k průniku vzduchu do prostoru a následnému neustálému chodu kompresoru. Tenká vrstva ledu je poměrně měkká a lze ji odstranit kartáčem nebo plastovou škrabkou. Nepoužívejte kovové nebo ostré škrabky, mechanická zařízení ani jiné prostředky na urychlení procesu odmrazování.

Odstraňte veškerou uvolněnou námrazu ze stěn krytu. Pro odstranění tenké námrazy není nutno spotřebič vypínat.

- Pro odstranění těžkých vrstev ledu odpojte zařízení od napájení a vyprázdněte obsah do kartonových krabic a zabalte do silných přikrývek nebo vrstev papíru, aby zůstaly v chladu. Odmrazování bude nejúčinnější, pokud je provádíte, když je mraznička téměř prázdná, je nutno je provést co nejdříve, aby nedošlo k nežádoucímu nárůstu teploty obsahu.
- Nepoužívejte kovové nebo ostré škrabky, mechanická zařízení ani jiné prostředky na urychlení procesu odmrazování. Zvýšení teploty mražených potravin během odmrazování zkrátí dobu skladovatelnosti. Během odmrazování udržujte obsah dobře zabalený a v chladu.



- Vnitřní část vysušte houbičkou nebo čistým hadříkem.
- Chcete-li odmrazování urychlit, umístěte do prostoru mrazničky jednu či více nádob s vodou.
- Zkontrolujte obsah, když jej vkládáte zpět do mrazničky, pokud jsou některá balení rozmrazená, je nutno je spotřebovat do 24 hodin nebo uvařit a znovu zmrazit.
- Po odmražení vyčistíte vnitřek spotřebiče roztokem teplé vody s trochou jedlé sody a pak důkladně vysušte. Veškeré odnímatelné části umyjte stejným způsobem a znovu namontujte. Znovu zapojte spotřebič k napájení a nechte 2 až 3 hodiny na nastavení MAX, než vrátíte potraviny zpět do mrazničky.



Pokud je výrobek vybaven LED lampou

Tento výrobek obsahuje světelný zdroj energetické třídy <E>.

Pokud je produkt vybaven LED páskami nebo LED kartami

Tento výrobek obsahuje světelný zdroj energetické třídy <F>.

6 DOPRAVA A PŘEMÍSTĚNÍ

6.1 Přeprava a přemístění

- Pro přemístění je třeba uchovat původní balení a pěnu (volitelné).
- Spotřebič musíte upevnit v obalu, pomocí pásů nebo silných kabelů a postupovat dle pokynů pro přepravu, které jsou na obalu.
- Při přemísťování nebo přepravě vyjměte všechny pohyblivé části nebo je připevněte do spotřebiče pomocí pásů, aby během přemísťování a přepravy nedošlo k narázům.



Spotřebič vždy přenášejte ve svislé poloze.

6.2 Přemístění dveří

- Jsou-li madla vašeho spotřebiče instalovaná z přední části dveří, nelze změnit směr otevírání dveří.
- Směr otevírání dveří lze změnit u modelů bez madel.
- Má-li být směr otevírání vašeho spotřebiče změněn, musíte kontaktovat nejbližší autorizované servisní středisko, a požádat o provedení změny směru otevírání.

7 NEŽ SE OBRÁTÍTE NA POPRADEJNÍ SERVIS

Pokud narazíte na problém s vaším **spotřebičem**, před kontaktováním poprodejního servisu zkontrolujte následující položky.

Váš spotřebič nefunguje

Zkontrolujte, zda:

- Je napájen
- Je zástrčka správně zasunuta do zásuvky
- Nepraskla síťová pojistka nebo pojistka zástrčky
- Není zásuvka vadná. Chcete-li to zkontrolovat, zapojte do stejné zásuvky další funkční zařízení.

Výkon spotřebiče je slabý

Zkontrolujte, zda:

- Není spotřebič přetížený
- Jsou dveře řádně zavřené
- Na kondenzátoru není prach
- Vzadu a po stranách je dostatek místa.

Váš spotřebič je při provozu hlučný

Normální zvuky

Praskání:

- Během automatického odmrazování
- Když se spotřebič zahřeje nebo zchladí (z důvodu expanze materiálu).

Krátké praskání: Tento zvuk zaslechnete když termostat zapne a vypne kompresor.

Zvuk motoru: Tento zvuk značí, že kompresor funguje normálně. Při prvním zapnutí může kompresor krátkodobě vydávat větší hluk.

Zvuk bublání a šplouchání: Tento zvuk je způsoben průtokem chladiva v trubicích systému.

Zvuk proudění vody: Tento zvuk je způsoben vodou, která teče do odpařovací nádoby. Tento zvuk je během odmrazování normální.

Zvuk větru: U některých modelů chladnička vydává tento zvuk při normálním provozu, v důsledku

circulace vzduchu.

Okraje spotřebiče, které jsou v kontaktu se spojem dveří, jsou teplé

To je normální, zejména v létě (teplé období), povrchy, které jsou v kontaktu se spojem dveří, se během provozu kompresoru zahřívají.

Uvnitř spotřebiče se hromadí vlhkost

Zkontrolujte, zda:

- Jsou všechny potraviny řádně zabalené. Jsou nádoby před vložením do spotřebiče suché.
- Dveře spotřebiče se často otevírají. Vlhkost v místnosti se při otevírání dveří dostane do spotřebiče. Vlhkost se hromadí rychleji, když dveře otevíráte častěji, zejména, je-li vlhkost v místnosti vysoká.

Dveře se neotevřou ani nezavřou správně

Zkontrolujte, zda:

- Zavírání dveří brání potraviny nebo obaly
- Jsou spoje dveří opotřebené nebo poškozené
- Váš spotřebič je na rovném povrchu.

Doporučení

- Pokud je spotřebič vypnut nebo odpojen od elektrické sítě, počkejte nejméně 5 minut před připojením nebo opětovným spuštěním spotřebiče, aby nedošlo k poškození kompresoru.
- Pokud nebudete spotřebič používat delší dobu (např. během dovolené), odpojte jej od elektrické sítě. Spotřebič vyčistěte v souladu s pokyny v části „čištění“ a nechte dveře otevřené, abyste tak zabránili hromadění vlhkosti a zápachu.
- Pokud problém přetrvává i poté, co jste dodrželi všechny výše uvedené pokyny, obraťte se na nejbližší autorizovaný servis.
- Zakoupený spotřebič je určen pouze pro domácí použití. Nehodí se pro komerční použití. Pokud uživatel použije spotřebič způsobem, který je v rozporu s uvedenými funkcemi, zdůrazňujeme, že výrobce a prodejce nenesou zodpovědnost za žádnou opravu a

selhání v rámci záručního období.

8 TIPY PRO ÚSPORU ENERGIE

1. Umístěte spotřebič v chladném a dobře větraném prostoru, nikoli na přímém slunečním svitu či v blízkosti zdroje tepla (radiátoru nebo sporáku). Pokud tak neučiníte, použijte izolační desku.
2. Horké potraviny a nápoje nechte před vložením do spotřebiče vychladnout.
3. Pokud je to možné, potraviny nechte rozmrazit v chladničce. Nízká teplota zmrazených potravin pomůže zchladit prostor chladničky. To ušetří energii. Rozmrazování potravin mimo spotřebič způsobí ztráty energie.
4. Nápoje a jiné tekutiny by měly být ve spotřebiči zakryté. Pokud tomu tak není, vlhkost uvnitř spotřebiče se zvýší a spotřebič spotřebovává více energie. Nápoje a tekutiny rovněž zakryvejte kvůli zachování vůně a chuti.
5. Dveře nenechávejte dlouho otevřené ani je neotevírejte příliš často, neboť kvůli teplému vzduchu, který se do prostoru dostane, bude muset zbytečně často zapínat kompresor.
6. Udržujte kryty různých teplotních oddílů (příhrádka na zeleninu, chladicí prostor, pokud jsou k dispozici) uzavřené
7. Těsnění dveří musí být čisté a tvárné. V případě opotřebení těsnění vyměňte.
8. Je možné uskladnit více potravin odstraněním mrazicího regálu. Spotřeba energie je vyjádřena maximálním zatížením a bez mrazicího regálu.

9 TECHNICKÉ ÚDAJE

Technické údaje jsou uvedeny na typovém štítku uvnitř spotřebiče a na energetickém štítku.

QR kód na energetickém štítku dodávaném se spotřebičem poskytuje webový odkaz na informace týkající se výkonu spotřebiče v databázi EU EPREL.

Uchovejte si energetický štítek pro referenční potřeby s návodem k použití a

všemi ostatními dokumenty dodanými s tímto spotřebičem.

Rovněž lze tyto informace nalézt v databázi EPREL prostřednictvím odkazu <https://eprel.ec.europa.eu> a pomocí názvu modelu a výrobního čísla, které naleznete na typovém štítku spotřebiče.

Podrobné informace o energetickém štítku naleznete na adrese www.theenergylabel.eu.

10 INFORMACE PRO ZKUŠEBNÍ INSTITUTY

Instalace a příprava tohoto spotřebiče pro jakékoli ověřování EcoDesign musí vyhovovat normě EN 62552. Požadavky na větrání, rozměry výklenku a minimální vzdálenosti zadní části od stěn musí odpovídat hodnotám uvedeným v tomto návodu k použití v ČÁSTI 1. Ohledně dalších informací včetně plnicích plánů se obraťte na výrobce.

11 PÉČE O ZÁKAZNÍKY A SERVIS

Používejte pouze originální náhradní díly.

Při kontaktu se servisním střediskem se ujistěte, že máte k dispozici následující údaje: Model, výrobní číslo (PNC), sériové číslo.

Tyto informace jsou uvedeny na typovém štítku.

Typový štítek se nachází uvnitř chladicího prostoru dole na levé straně.

Původní náhradní díly pro některé specifické součástky, v závislosti na typu součástky, budou k dispozici po dobu minimálně 7 nebo 10 let od vystavení na trhu poslední jednotky daného modelu.

Navštivte naše stránky:

www.romo.cz

Ďakujeme, že ste si zakúpili tento produkt!

Tato používateľská príručka obsahuje dôležité bezpečnostné informácie a pokyny k správnej obsluhu a údržbe Vášho spotrebiča.

Prečítajte si prosím pozorne túto príručku pred tým, než začnete spotrebič používať, a uschovajte ho pre prípadné budúce použitie.

Ikona	Typ	Význam
	VAROVANIE:	Vážne riziko alebo smrteľné nebezpečenstvo
	NEBEZPEČENSTVO ZÁSAHU ELEKTRICKÝM PRÚDOM	Riziko nebezpečného napätia
	POŽIAR	Varovanie; riziko požiaru/horľavých materiálov
	UPOZORNENIE	Riziko úrazu alebo škody na majetku
	DÔLEŽITÉ	Správne obsluhovanie systému

OBSAH

1 BEZPEČNOSTNÉ POKYNY	38
1.1 Všeobecné bezpečnostné varovania.....	38
1.2 Montážne varovania.....	42
1.3 Počas používania.....	42
2 OPIS SPOTREBIČA	44
2.1 Rozmery.....	45
3 POUŽÍVANIE SPOTREBIČA	46
3.1 Informácie o technológii Less Frost.....	46
3.2 Nastavenie termostatu.....	46
3.3 Príslušenstvo.....	46
3.3.1 Nádobka na ľad (<i>pri niektorých modeloch</i>).....	46
3.3.2 Plastová škrabka (<i>pri niektorých modeloch</i>).....	47
4 USKLADNENIE POTRAVÍN	47
5 ČISTENIE A ÚDRŽBA	49
5.1 Odmrazovanie.....	49
6 DODANIE A PREMIESTNENIE	50
6.1 Preprava a zmena polohy.....	50
6.2 Zmena otvárania dvierok.....	50
7 PREDTÝM, NEŽ KONTAKTUJETE POPREDAJNÝ SERVIS	51
8 TIPY NA ÚSPORU ENERGIE	52
9 TECHNICKÉ ÚDAJE	52
10 INFORMÁCIE PRE SKÚŠOBNÉ INŠTITÚCIE	52
11 ZÁKAZNÍCKA STAROSTLIVOSŤ A SERVIS	53

1 BEZPEČNOSTNÉ POKYNY

1.1 Všeobecné bezpečnostné varovania

Túto používateľskú príručku sa starostlivo prečítajte.

! VAROVANIE: Predchádzajte zablokovaniu vetracích otvorov v plášti spotrebiča alebo v zabudovanej konštrukcii.

! VAROVANIE: Nepoužívajte iné mechanické zariadenia alebo iné pomôcky na zrýchlenie procesu rozmrazovania, ako sú tie, ktoré odporúča výrobca.

! VAROVANIE: Vnútri priečinkov na skladovanie potravín v spotrebiči nepoužívajte elektrické spotrebiče, pokiaľ nie sú typu, ktorý odporúča výrobca.

! VAROVANIE: Nepoškodíte chladiaci okruh.

! VAROVANIE: Pri umiestňovaní spotrebiča sa uistite, že napájací kábel nie je zachytený alebo poškodený.

! VAROVANIE: K zadnej strane spotrebiča neumiestňujte prenosné rozvodky alebo prenosné zdroje napätia.

! VAROVANIE: Aby ste predišli nebezpečenstvu spôsobenému nestabilitou spotrebiča, je potrebné ho upevniť podľa pokynov.

⚠ Ak váš spotrebič používa ako chladiacu látku R600a (táto informácia sa nachádza na štítku na chladničky), mali by ste byť počas prepravy a inštalácie opatrný, aby ste zabránili poškodeniu

chladiacich prvkov. R600a je prírodný plyn šetrný k životnému prostrediu, je však výbušný. V prípade úniku z dôvodu poškodenia chladiča presuňte chladničku mimo otvoreného ohňa alebo zdrojov tepla a vyvetrajte miestnosť, v ktorej sa spotrebič nachádza.

- Počas umiestňovania a prenášania chladničky nepoškodíte okruh chladiaceho plynu.
- V tomto spotrebiči neskladujte výbušné látky, napr. aerosólové plechovky s horľavým hnacím plynom.
- Tento spotrebič je určený na používanie v domácnosti a pri podobnom používaní, ako napríklad:
 - kuchynské oblasti pre personál v obchodoch, kanceláriách a v iných pracovných prostrediach;
 - farmárske domy a klienti v hoteloch, motelloch a v iných prostrediach rezidenčného typu;
 - zariadeniach typu nocľah s raňajkami;
 - stravovacie a podobné nemaloobchodné použitia.
- Ak sa zástrčka chladničky nezmesťí do zásuvky, musí byť vymenená výrobcou, servisným technikom alebo podobne kvalifikovanými osobami, aby sa predišlo zraneniu.
- Špeciálne uzemnená zástrčka bola pripojená k napájacíemu káblu vašej chladničky. Táto zástrčka by sa mala používať so špeciálne uzemnenou zásuvkou s výkonom 16 ampérov. Ak sa vo vašej domácnosti žiadna takáto zásuvka nenachádza, dajte si ju nainštalovať autorizovaným elektrikárom.

- Tento spotrebič môžu používať deti staršie ako 8 rokov a osoby so zníženými fyzickými, vnemovými alebo mentálnymi schopnosťami, prípadne nedostatkom skúseností a vedomostí, pokiaľ sú počas prevádzky spotrebiča pod náležitým dozorom alebo vedením v záujme bezpečného používania spotrebiča s chápaním sprievodných rizík. Deti sa so spotrebičom nesmú hrať. Deti bez dozoru nesmú vykonávať čistenie ani používateľskú údržbu.
- Deti vo veku od 3 do 8 rokov smú nakladať a vykladať chladiace spotrebiče. Deti nemajú vykonávať údržbu alebo čistenie spotrebiča, veľmi malé deti (0 – 3 rokov) nemajú používať spotrebič, malé deti (3 – 8 rokov) nemajú používať spotrebič, ak sú bez stáleho dozoru, staršie deti (8 – 14 rokov) a ľudia s obmedzenými fyzickými alebo duševnými schopnosťami môžu používať spotrebiče bezpečne, ak sú pod dozorom alebo boli o bezpečnom použití spotrebiča náležite poučení. Ľudia s veľmi obmedzenými schopnosťami nemajú používať spotrebič, kým nie sú pod stálym dozorom.
- Ak je napájací kábel poškodený, výrobca, autorizované servisné stredisko alebo iná náležite kvalifikovaná osoba ho musí vymeniť, aby sa predišlo nebezpečenstvu.
- Tento spotrebič nie je určený na použitie v nadmorských výškach nad 2000 m.

Aby nedošlo ku kontaminácii jedla, dodržujte tieto pokyny:

- Ponechanie otvorených dvierok na dlhú dobu môže spôsobiť výrazný narástť teploty vnútri priehradkách spotrebiča.
- Pravidelne čistite povrchy, ktoré prichádzajú do kontaktu s jedlom, a tiež prístupné odtokové systémy.
- Surové mäso a ryby uchovávajte v chladničke vo vhodných nádobách, aby nedochádzalo k ich kontaktu s inými potravinami alebo kvapnutiu na ne.
- Priehradky na mrazené potraviny označené dvoma hviezdikami sú vhodné na uchovávanie vopred zmrazených potravín, uchovávanie alebo výrobu zmrzliny a výrobu ľadových kociek.
- Priehradky označené jednou, dvoma alebo tromi hviezdikami nie sú vhodné na zmrazenie čerstvého jedla.
- Ak chladiace zariadenie je ponechané prázdne po dlhú dobu, je nutné ho vypnúť, rozmraziť, očistiť, osušiť a ponechať dvierka otvorené, aby ste zabránili tvorbe plesní vnútri spotrebiča.

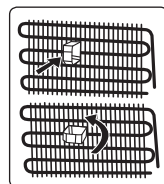
1.2 Montážne varovania

Pred prvým použitím vašej mrazničky venujte pozornosť týmto bodom:

- Prevádzkové napätie vašej mrazničky je 220 – 240 V pri 50 Hz.
- Zástrčka musí byť po inštalácii ľahko dostupná.
- Vaša mraznička môže mať pri prvom spustení istý zápach. Je to normálne a zápach vyprchá, keď mraznička začne chladiť.
- Pred pripojením vašej mrazničky sa uistite, či sa informácie na výrobnom štítku (napätie a zaťaženie napájania) zhodujú s hodnotami elektrickej siete. V prípade pochybností sa obráťte na kvalifikovaného elektrikára.
- Zástrčku zapojte do zásuvky s účinným uzemnením. Ak zásuvka nie je uzemnená alebo ak sa nezhoduje, odporúčame, aby ste o pomoc požiadali kvalifikovaného elektrikára.
- Spotrebič musí byť zapojený do riadne inštalovanej zásuvky s poistkou. Napájanie (striedavý prúd) a napätie musí zodpovedať údajom na typovom štítku spotrebiča (typový štítok sa nachádza v ľavej vnútornej časti spotrebiča).
- Nenesieme zodpovednosť za žiadne škody, ku ktorým môže dôjsť z dôvodu neuzemneného použitia.
- Mrazničku umiestnite tam, kde nebude vystavená priamemu slnečnému svetlu.
- Vaša mraznička sa nikdy nesmie používať v exteriéri alebo byť vystavená dažďu.
- Váš spotrebič sa musí nachádzať vo vzdialenosti aspoň 50 cm od sporáka, plynových rúr a aspoň 5 cm od elektrických rúr.
- Ak je vaša mraznička umiestnená vedľa mraziacej skrine, musí byť medzi nimi medzera minimálne 2 cm, aby sa predišlo tvorbe vlhkosti na vonkajšom povrchu.
- Nezakrývajte telo alebo hornú časť mrazničky čipkovanou dečkou. Ovplyvní

to výkonnosť mrazničky.

- Nad vrchnou časťou spotrebiča je nutné ponechať aspoň 150 mm široký odstup. Na vršok spotrebiča nič neodkladajte.
- Na spotrebič nekladte ťažké predmety.
- Spotrebič pred použitím dôkladne vyčistite (pozri Čistenie a Údržba).
- Pred použitím vašej mrazničky utrite všetky časti roztokom teplej vody s lyžičkou sódy bikarbóny. Potom opláchnite vodou a osušte. Po očistení všetky diely vráťte do mrazničky.
- Použite nastaviteľné predné nožičky na zabezpečenie vyváženého a stabilného spotrebiča. Nožičky môžete nastaviť ich otáčaním v oboch smeroch. Musí sa to vykonať pred vložením potravín do spotrebiča.
- Nainštalujte dve plastové podložky (časti na čiernych pruhoch na zadnej časti – kondenzátore) tak, že je otočíte o 90 ° ako je znázornené na snímke, aby ste predišli tomu, že sa kondenzátor bude dotýkať steny.
- Vzdialenosť medzi spotrebičom a zadnou stenou musí byť maximálne 75 mm.



1.3 Počas používania

- Mrazničku nezapájajte do elektrickej siete pomocou predlžovacieho kábla.
- Nepoužívajte poškodené, rozbité alebo staré zástrčky.
- Kábel neťahajte, neohýbajte alebo nepoškodzujte.
- Nepoužívajte zástrčkový adaptér.
- Tento spotrebič je navrhnutý na používanie dospelými osobami. Nenechajte deti hrať sa so spotrebičom alebo zvesiť dvere.
- Nikdy sa nedotýkajte napájacieho kábla/zástrčky mokrými rukami. Môže to spôsobiť skrat alebo zásah elektrickým prúdom.
- Do mrazničky nekladajte sklenené fľaše alebo plechovky, pretože po zamrznutí

obsahu sa roztrhnú.

- Nedávajte do mrazničky výbušné alebo horľavé materiály.
- Pri odstraňovaní ľadu z priehradky na tvorbu ľadu sa ho nedotýkajte. Ľad môže spôsobiť omrzliny a/alebo rezné rany.
- Mrazených produktov sa nedotýkajte mokrymi rukami. Zmrzlinu alebo ľadové kocky nejedzte hneď po ich vybratí z priehradky na tvorbu ľadu.
- Rozmrazené potraviny opätovne nezmrázajte. Môže to spôsobiť zdravotné problémy, napr. otravu jedlom.

Staré a zastarané chladničky

- Ak má vaša stará chladnička alebo mraznička zámok, rozbité ho alebo ho pred likvidáciou odstráňte, pretože by sa v nej mohli uviaznuť deti, čo by mohlo viesť k nehode.
- Staré chladničky a mrazničky obsahujú izolačný materiál a chladivo s freónmi. Preto dbajte na to, aby ste pri likvidácii starých chladničiek nepoškodzovali životné prostredie.

Vyhlasenie zhody ES

Vyhlasujeme, že naše výrobky spĺňajú platné smernice, rozhodnutia a nariadenia EÚ a požiadavky uvedené v referenčných normách.

Likvidácia vášho starého spotrebiča

Symbol na výrobku alebo na jeho obale znamená, že tento výrobok sa nesmie spracúvať ako komunálny odpad. Namiesto toho by sa mal odovzdať na zbernom dvore na recykláciu elektrického a elektronického zariadenia. Zabezpečením správnej likvidácie tohto výrobku pomôžete predchádzať potenciálnym nepriaznivým dosahom na životné prostredie a ľudské zdravie, ku ktorému by inak mohlo dôjsť nevhodným nakladaním s odpadom z tohto výrobku. Ak chcete získať podrobnejšie informácie o recyklácii tohto výrobku, obráťte sa na svoj obecny úrad, stredisko na likvidáciu komunálneho odpadu alebo na predajňu, v ktorej ste si výrobok zakúpili.



Balenie a životné prostredie

Obalové materiály chránia váš spotrebič pred poškodením, ku ktorému môže dôjsť pri preprave. Obalové materiály sú šetrné k životnému prostrediu, keďže sú recyklovateľné. Používanie recyklovaných materiálov znižuje spotrebu surovín a tým znižuje tvorbu odpadu.

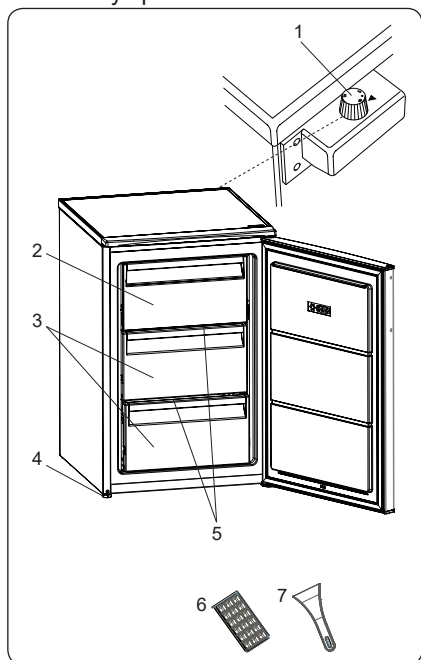



Poznámky:

- Pred inštaláciou a použitím spotrebiča si pozorne prečítajte návod na použitie. Nie sme zodpovedný za škody vzniknuté nesprávnym používaním.
- Dodržte pokyny uvedené na spotrebiči a v návode na použitie, tento návod uchovajte na bezpečnom mieste, aby ste mohli vyriešiť problémy, ak k nim v budúcnosti nedôjde.
- Tento spotrebič je vyrobený na použitie v domácnostiach a možno ho použiť iba v domácom prostredí a na špecifikované účely. Nie je vhodný pre komerčné alebo bežné používanie. Takéto použitie spôsobí, že záruka stratí platnosť a naša spoločnosť neponesie zodpovednosť za žiadne vzniknuté straty.
- Tento spotrebič je vyrobený na použitie v domácnostiach a je vhodný iba na skladovanie/chladienie potravín. Nie je vhodný na komerčné použitie a/alebo skladovanie iných látok ako potraviny. Naša spoločnosť nenesie zodpovednosť za prípadné škody spôsobené nesprávnym používaním spotrebiča.

2 OPIS SPOTREBIČA

Tento spotrebič nie je určený na používanie ako vstavaný spotrebič.



 Táto prezentácia slúži len na informáciu o dieloch spotrebiča. Časti sa môžu podľa modelu spotrebiča líšiť.

- 1) Spínač termostatu
- 2) Horný kryt mrazničky/horná zásuvka mrazničky
- 3) Zásuvky mrazničky
- 4) Vyrovnávací nožička
- 5) Sklené poličky mrazničky *
- 6) Zásobník na ľad
- 7) Plastová škrabka na ľad *

** Pri niektorých modeloch*

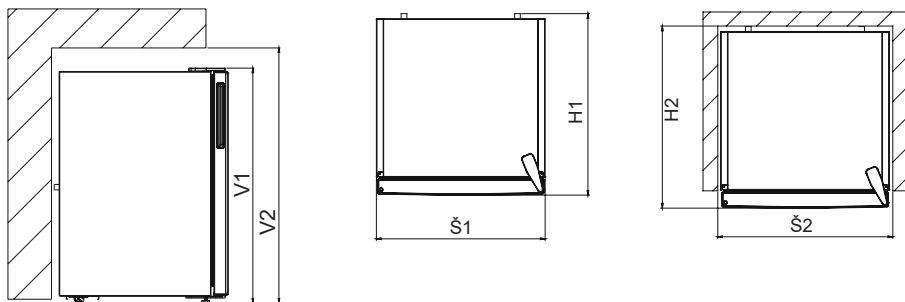
O sklených poličkách mrazničky: Keď je mraznička vybalená, môžu byť obe sklené police mrazničky na mieste dolnej poličky mrazničky. V takom prípade väčšiu poličku vyberte a umiestnite ju do polohy hornej poličky.

Všeobecné poznámky:

Mraziaci priestor (Mraznička):

Najefektívnejšie využívanie energie je zabezpečené pri konfigurácii so zásuvkami a košmi v naloženej polohe.

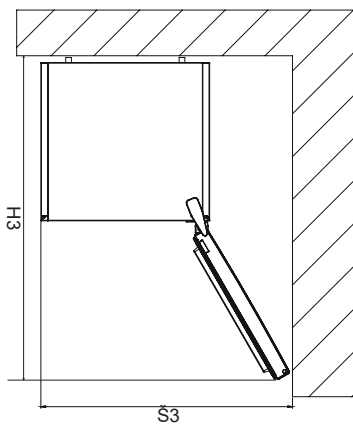
2.1 Rozměry



Celkové rozměry ¹		
H1	mm	838
W1	mm	540
D1	mm	615

Přítomnost potřebný při používání ²		
H2	mm	988
W2	mm	640
D2	mm	712,8

Celkový přítomnost potřebný při používání ³		
W3	mm	658,5
D3	mm	1109,5




3 POUŽÍVÁNIE SPOTREBIČA

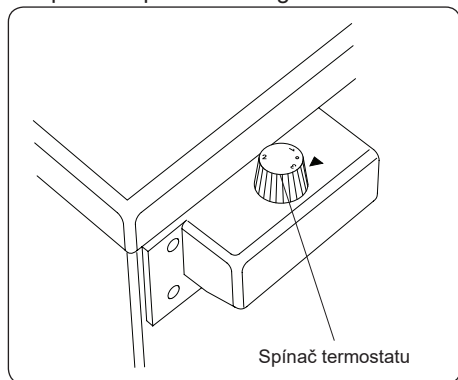
3.1 Informácie o technológii Less Frost

Vďaka obalu okolo výparníka technológia Less Frost umožňuje efektívnejšie chladenie, menšiu potrebu ručného rozmrazovania a väčšiu flexibilitu skladovacieho priestoru.

3.2 Nastavenie termostatu

Termostat automaticky reguluje teplotu v priechodoch chladničky a mrazničky. Teploty chladničky môžete dosiahnuť otáčaním gombíka na vyššie číslíce: 1 až 3, 1 až 5 alebo SC (Maximálne čísla na termostate závisia od vášho spotrebiča.)

 **Dôležitá poznámka:** Gombík sa nepokúšajte otočiť za pozíciu 1, lebo tak spotrebič prestane fungovať.



Nastavenia termostatu

- 1: Na krátkodobé skladovanie jedla
 - 2: Na dlhodobé skladovanie jedla
 - 3: Maximálna poloha chladenia. Spotrebič bude fungovať dlhšie. V prípade potreby zmeňte nastavenie teploty. Upozornenia pri nastaveniach teploty
- Váš spotrebič je navrhnutý tak, aby fungoval pri intervaloch okolitej teploty uvedených v normách, a to v súlade s klimatickou triedou uvedenou na informačnom štítku. Neodporúča sa, aby ste chladničku používali v prostrediach, ktoré sa nenachádzajú v rozsahu uvedených teplotných intervalov s

ohľadom na efektívnosť chladenia. To by ovplyvnilo účinnosť chladenia.

- Nastavenia teploty by sa mali vykonať podľa častosti otvárania dverí, množstva potravín uchovávaných v chladničke a okolitej teploty okolo spotrebiča.
- Pri prvom zapnutí nechajte chladničku bežať 24 hodín, aby dosiahla prevádzkovú teplotu. Počas tejto doby neotvárajte dvere a neskladujte vnútri veľké množstvo potravín.
- Funkcia 5-minútového oneskorenia je aktívna, aby sa zabránilo poškodeniu kompresora vášho spotrebiča pri pripájaní alebo odpájaní od siete alebo pri výpadku energie. Vaša chladnička začne po 5 minútach normálne fungovať.

Klimatická trieda a význam:

T (tropická): Tento chladiaci spotrebič je určený na používanie pri teplote okolia v rozsahu od 16 °C do 43 °C.

ST (subtropická): Tento chladiaci spotrebič je určený na používanie pri teplote okolia v rozsahu od 16 °C do 38 °C.

N (teplota): Tento chladiaci spotrebič je určený na používanie pri teplote okolia v rozsahu od 16 °C do 32 °C.

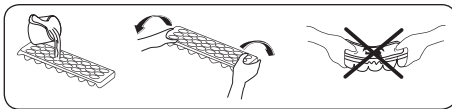
SN (rozšírená teplota): Tento chladiaci spotrebič je určený na používanie pri teplote okolia v rozsahu od 10 °C do 32 °C.

3.3 Príslušenstvo

Vizuálne a textové popisy v časti o príslušenstve sa môžu odlišovať v závislosti od modelu spotrebiča.

3.3.1 Nádobka na ľad (pri niektorých modeloch)

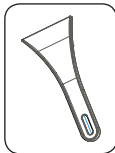
- Priečinok na ľad naplňte vodou a vložte ho do priečinka mrazničky.
- Potom, čo sa voda zamrzne, môžete priečinok otočiť, ako je zobrazené nižšie a vysypať kocky ľadu.



3.3.2 Plastová škrabka (pri niektorých modeloch)

Po určitom čase sa v niektorých oblastiach mrazničky vytvorí námraza.

Pravidelne by ste mali odstraňovať námrazu, ktorá sa vytvorila v mrazničke. Ak je to potrebné, použite dodanú plastovú škrabku. Na túto činnosť nepoužívajte ostré kovové predmety. Mohli by preniknúť do okruhu chladničky a spôsobiť neopraviteľné poškodenie spotrebiča.



Vizuálne a textové popisy v časti o príslušenstve sa môžu odlišovať v závislosti od modelu spotrebiča.

4 USKLADNENIE POTRAVÍN


- Mraznička sa/používa na uchovávanie mrazených potravín, mrazenie čerstvých potravín a tvorbu kociek ľadu.
- Potraviny v tekutom skupenstve by sa mali zmraziť v plastových pohárikoch a iné potraviny by sa mali zmraziť v plastových fóliách alebo vreckách. Mrazenie čerstvých potravín: čerstvé potraviny riadne zabaľte tak, aby bol obal vzduchotesný a nepretekal. Ideálne sú špeciálne vrecká do mrazničky, allobal, polyetylénová vrecká a plastové nádoby.
- Čerstvé potraviny neuchovávajúte vedľa zmrazených potravín, pretože môžu zmrazené potraviny rozmraziť.
- Pred mrazením čerstvých potravín ich rozdeľte na porcie, ktoré sa dajú skonzumovať na jeden raz.
- Rozmrazené potraviny skonzumujte za krátky čas po rozmrazení.
- Pri uchovávaní mrazených potravín vždy dodržiavajte pokyny výrobcu na balení potraviny. Ak nie sú uvedené žiadne informácie, potraviny sa nesmú skladovať dlhšie ako 3 mesiace od dátumu kúpy.
- Pri kúpe mrazených potravín sa uistite, či boli uchovávané za vhodných podmienok

a či nemajú poškodené balenie.


- Mrazené potraviny by sa mali prepravovať vo vhodných nádobách a mali by sa čo najskôr umiestniť do mrazničky.
- Nekupujte mrazené potraviny, ak balenie vykazuje znaky vlhkosti a nezvyčajného napuchnutia. Je pravdepodobné, že boli uchovávané pri nevhodnej teplote a že obsah sa pokazil.
- Životnosť skladovania mrazených potravín závisí od teploty v miestnosti, nastavenia termostatu, častosti otvárania dverok, typu potravín a od dĺžky času, ktorý je potrebný na prepravu produktu z obchodu domov. Vždy postupujte podľa pokynov vytlačených na balení a nikdy neprekračujte maximálny naznačený čas skladovania.
- Ak boli dvere mrazničky ponechané dlhšie otvorené alebo neboli riadne zatvorené, vytvorí sa námraza a môže brániť účinnej cirkulácii vzduchu. Ak to chcete vyriešiť, mrazničku odpojte a nechajte ju odmraziť. Po úplnom odmrazení mrazničku vyčistite.
- Objem mrazničky uvedený na štítku je objem bez košov, krytov a podobne.
- Nezmrazujte rozmrazené potraviny. Môžu predstavovať nebezpečenstvo pre vaše zdravie a môžu spôsobiť problémy, ako napríklad otravu jedlom.

POZNÁMKA: Ak sa pokúsite otvoriť dvere mrazničky bezprostredne po ich zatvorení, môže sa stať, že to nepôjde ľahko. Je to normálne. Po dosiahnutí rovnováhy sa dvere otvoria ľahko.

- Mraziaci priediňok použite na rýchlejšie zmrazenie po domácky varených jedál (a akéhokoľvek iného jedla, ktoré sa musí zmraziť rýchlo) vďaka väčšiemu mraziacemu výkonu mraziaceho priediňka. Rýchlomraziaca zásuvka je **spodnou** zásuvkou mraziaceho priestoru.

 Tabuľka nižšie je rýchlym sprievodcom na ukávanie najúčinnnejšieho spôsobu uskladnenia hlavných potravinových skupín v mraziacom priediňku.

Mäso a ryby	Príprava	Maximálny čas uskladnenia (mesiace)
Stejk	Zabalit' do fólie	6 – 8
Jahňacie mäso	Zabalit' do fólie	6 – 8
Tefacia roštenka	Zabalit' do fólie	6 – 8
Tefacie kocky	Na malé kúsky	6 – 8
Jahňacie kocky	Na kúsky	4 – 8
Mleté mäso	V baleniach bez použitia korenín	1 – 3
Drobky (kúsky)	Na kúsky	1 – 3
Bolonská omáčka/saláma	Mala by sa uchovávať zabalená aj vtedy, keď má črievko	
Kura a moriak	Zabalit' do fólie	4 – 6
Hus a kačka	Zabalit' do fólie	4 – 6
Jeleň, zajac, diviak	V 2,5 kg porciách alebo ako filety	6 – 8
Sladkovodné ryby (losos, kapor, žeriav, sumec)		2
Štíhle ryby (ostriež, kambala veľká, platýz)	Po odstránení vnútorností a šupín ich poumývajte a osušte Ak je to potrebné, odrežte chvost a hlavu.	4
Mastné ryby (tuniak, makrela, lufara dravá, sardela)		2 – 4
Mäkkýše	Čisté a vo vrecku	4 – 6
Kaviár	Vo svojom balení alebo v hliníkovej alebo plastovej nádobe	2 – 3
Slimáky	V slanej vode alebo v hliníkovej alebo plastovej nádobe	3

 **POZNÁMKA:** Rozmrazené mäso by sa malo variť ako čerstvé mäso. Ak sa po odmrázení mäso neuvarí, nesmie sa opätovne zmraziť.


Zelenina a ovocie	Príprava	Maximálny čas uskladnenia (mesiace)
Ťahavé fazule a bôby	Umyte, narežte na malé kúsky a uvarte vo vode	10 – 13
Fazule	Olúpte, umyte a uvarte vo vode	12
Kel	Očistite a uvarte vo vode	6 – 8
Mrkva	Očistite, narežte na plátky a uvarte vo vode	12
Korenie	Odrežte vňať, rozrežte na dva kúsky, odstráňte jadro a uvarte vo vode	8 – 10
Špenát	Umyte a uvarte vo vode	6 – 9
Karfiol	Odstáňte lístky, rozrežte ružičky na kúsky a chvíľku nechajte vo vode s malým podielom citrónovej šťavy	10 – 12
Baklažán	Po umytí narežte na kúsky s hrúbkou 2 cm	10 – 12
Kukurica	Očistite a zabaľte so šúľkom alebo ako sladkú kukuricu	12


Zelenina a ovocie	Príprava	Maximálny čas uskladnenia (mesiace)
Jablko a hruška	Olúpte a narežte na mesiačky	8 – 10
Marhuľa a broskyňa	Narežte na kúsky a odstráňte kôstku	4 – 6
Jahody a černice	Umyte a olúpte	8 – 12
Varené ovocie	Do nádoby pridajte 10 % cukru	12
Slivky, čerešne, kyslé bobuľoviny	Umyte ich a odstráňte stonky	8 – 12


	Maximálny čas uskladnenia (mesiace)	Dĺžka rozmrazovania pri izbovej teplote (hodiny)	Čas rozmrazovania v rúre (minúty)
Chlieb	4 – 6	2 – 3	4 – 5 (220 – 225 °C)
Sušienky	3 – 6	1 – 1,5	5 – 8 (190 – 200 °C)
Cesto	1 – 3	2 – 3	5 – 10 (200 – 225 °C)
Koláč	1 – 1,5	3 – 4	5 – 8 (190 – 200 °C)
Lístkové cesto	2 – 3	1 – 1,5	5 – 8 (190 – 200 °C)
Pizza	2 – 3	2 – 4	15 – 20 (200 °C)

Mliečne produkty	Príprava	Maximálny čas uskladnenia (mesiace)	Podmienky skladovania
Balené (homogenizované) mlieko	Vo vlastnom balení	2 – 3	Čisté mlieko – vo vlastnom balení
Syr – s výnimkou bieleho syru	V plátkoch	6 – 8	Na krátkodobé skladovanie sa môže použiť pôvodné balenie. Na dlhšie obdobie by sa mal zabaliť do fólie.
Maslo, margarín	Vo vlastnom balení	6	

5 ČISTENIE A ÚDRŽBA

 Pred čistením odpojte zariadenie od napájania.

 Spotrebič nečistite nalieváním vody do vnútra.

 Na čistenie spotrebiča nepoužívajte abrazívne a čistiace prostriedky alebo mydlá. Po umytí opláchnite čistou vodou a dôkladne osušte. Po dokončení čistenia zástrčku suchými rukami opäť zapojte do zásuvky.

- Zastíte, aby sa do krytu svetla a ostatných elektrických komponentov nedostala žiadna voda.
- Spotrebič musí byť čistený pravidelne roztokom jedlej sódy a vlažnej vody.
- Príslušenstvo vyčistíte jednotlivo rukami

pomocou mydla a vody. Príslušenstvo neumývajte v umývačke riadu.

- Kondenzátor čistíte kefkou aspoň dvakrát ročne. Pomôže vám to ušetriť náklady na energiu a zvýšiť produktivitu.

  **Počas čistenia sa musí odpojiť napájanie.**

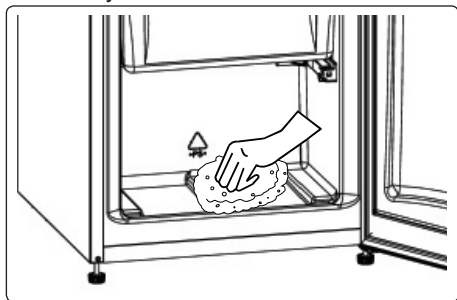
5.1 Odmrazovanie

Proces odmravovania mrazničky

- Vo vnútri mrazničky sa nahromadí malé množstvo námrazy v závislosti od dĺžky času, na aký môžu byť dvierka ponechané otvorené alebo koľko vlhkosti vnikne dovnútra. Je potrebné zabezpečiť, aby sa netvorila námraza na miestach, na ktorých by to ovplyvnilo tesnosť tesnenia. To môže umožniť prenikanie vzduchu

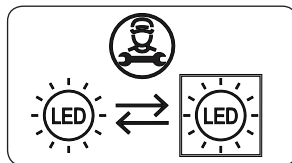
do mrazničky a tak vyvolávať neustále spustenie kompresora. Tenká námraza je mäkká a možno ju odstrániť kefkou alebo plastovou škrabkou. Nepoužívajte kovové alebo ostré škrabky, mechanické zariadenia ani iné prostriedky na urýchlenie procesu odmrazovania. Odstráňte všetku uvoľnenú námrazu zo stien krytu. Pri odstraňovaní tenkej námrazy nie je nutné spotrebič vypínať.

- Pre odstránenie silných vrstiev ľadu odpojte zariadenie od napájania, vyprázdňte obsah do kartónových krabíc a zabalte do silných prikrývok alebo vrstiev papiera, aby zostali v chlade. Odmrazovanie bude najúčinnnejšie, keď bude mraznička takmer prázdna a musí byť vykonané čo najrýchlejšie, aby sa predišlo zbytočnému zvýšeniu teploty.
- Nepoužívajte kovové alebo ostré škrabky, mechanické zariadenia ani iné prostriedky na urýchlenie procesu odmrazovania. Zvýšenie teploty počas odmrazovania skrátí dobu skladovania zmrazených potravín. Počas odmrazovania udržiavajte obsah dobre zabalený a v chlade.



- Vnútornú časť vysušte hubkou alebo čistou handričkou.
- Ak chcete odmrazovanie urýchliť, umiestnite do priestoru mrazničky jednu alebo viac misiek s teplou vodou.
- Pred vrátením do mrazničky skontrolujte obsah, a ak niektorá balenia rozmrzla, je nutné ich skonzumovať do 24 hodín alebo uvariť a znovu zmraziť.
- Po dokončení odmrazovania vyčistite vnútro spotrebiča roztokom teplej vody a trochu

sódy bikarbóny, potom dôkladne osušte. Všetky vyberateľné časti umyte rovnakým spôsobom a znovu vložte. Znovu zapojte spotrebič do napájania a nechajte 2 až 3 hodiny pred tým, ako vrátite potraviny späť do mrazničky, na nastavení číslo MAX.



Ak je výrobok vybavený LED žiarovkou

Tento výrobok obsahuje svetelný zdroj triedy energetickej účinnosti <E>.


Ak je výrobok vybavený LED pásikmi alebo LED diódami

Tento výrobok obsahuje svetelný zdroj triedy energetickej účinnosti <F>.

6 DODANIE A PREMIESTNENIE

6.1 Preprava a zmena polohy

- Originálne balenie a penovú výplň si môžete uschovať pre opätovnú prepravu (voliteľne).
- Spotrebič upevníte do hrubého balenia páskami alebo silnými špagátmi a postupovať podľa pokynov na prepravu uvedených na balení.
- Pri opätovnom presúvaní alebo preprave odstráňte všetky pohyblivé časti alebo ich upevníte na spotrebič proti otrasom pomocou pásov.

 Spotrebič prenášajte vždy vo vzpriamenej polohe.

6.2 Zmena otvárania dvierok

- Smer otvárania dvierok vášho spotrebiča sa nedá zmeniť, ak sú rukoväte dverí na vašom spotrebiči nainštalované na prednom povrchu dvierok spotrebiča.
- Smer otvára možno zmeniť v prípade dverí bez rukoväte.
- Či sa smer otvárania dvierok vášho

spotrebiča dá zmeniť sa informujte v najbližšom autorizovanom servisnom centre s cieľom zmeny smeru otvárania.

7 PREDTÝM, NEŽ KONTAKTUJETE POPREDAJNÝ SERVIS

Ak sa vyskytol problém s vašim **spotrebičom**, pred obrátením sa na popredajné služby skontrolujte nasledovné:

Váš spotrebič nie je v prevádzke

Skontrolujte, či:

- Je pripojený k napájaniu.
- Zástrčka je riadne vložená do zásuvky.
- Nevyhodilo poistku alebo hlavný istič.
- Zásuvka je chybná. Ak to chcete skontrolovať, zapojte do tej istej zásuvky iný funkčný spotrebič.

Výkon spotrebiča je nedostatočný.

Skontrolujte, či:

- Spotrebič je dobre vyrovnaný.
- Dvierka spotrebiča sú riadne zavreté.
- Na kondenzátore nie je prach.
- Je dostatočné miesto blízko zadnej časti a pri bočných stenách.

Váš spotrebič je pri prevádzke hlučný

Normálne zvuky

Vydáva praskajúci zvuk:

- Počas automatického odmravovania.
- Keď sa spotrebič ochladzuje alebo zahrieva (z dôvodu rozťahovania materiálu spotrebiču).

Vydáva krátky praskajúci zvuk: Keď termostat zapne a vypne kompresor.

Zvuk motora: Naznačuje to, že kompresor funguje normálne. Kompresor môže fungovať hlučnejšie počas krátkej doby po prvej aktivácii.

Vydáva bublajúci a čľapotajúci hluk:

Z dôvodu prietoku chladiacej látky v rúrkach systému.

Vydáva zvuk prúdenia vody: Z

dôvodu prúdenia vody do nádoby na odparovanie. Tento zvuk je normálny počas odmravovania.

Vydáva zvuk prúdenia vzduchu: Pri určitých modeloch počas normálnej prevádzky systému v dôsledku cirkulácie vzduchu.

Okraje spotrebiča v styku s pántmi dverí sú teplé.

Predovšetkým počas leta (teplých období) sa môžu povrchy v kontakte s dverami zahriať počas prevádzky kompresora, je to normálne.

Vnútri spotrebiča sa hromadí vlhkosť.

Skontrolujte, či:

- Sú všetky potraviny riadne zabalené? Nádoby musia byť pred vložením do **spotrebiča** suché.
- Dvierka **spotrebiča** sa často otvárajú. Vlhkosť z miestnosti prenikne do **spotrebiča**, keď sa otvorí dvierka. Vlhkosť sa zvyšuje rýchlejšie, ak sa dvierka otvárajú častejšie, najmä keď je v miestnosti vysoká vlhkosť.

Dvierka neotvárajte alebo riadne zatvorte

Skontrolujte, či:

- Potraviny alebo obal bránia zatvoreniu dvierok
- Spoje dvierok sú poškodené alebo roztrhnuté.
- Váš **spotrebič** je na rovnom povrchu.

Odporúčania

- Ak sa spotrebič vypne alebo odpojí, počkajte aspoň 5 minút pred zapojením spotrebiča alebo jeho reštartovaním, aby sa predišlo poškodeniu kompresora.
- Ak spotrebič nebudete dlhý čas používať (napr. počas letných prázdnin), odpojte ho. Spotrebič vyčistíte v súlade s kapitolou o čistení a nechajte dvere otvorené, aby ste tak zabránili hromadeniu vlhkosti a zápachu.
- Ak problém pretrváva aj potom, čo ste postupovali podľa všetkých z vyššie uvedených pokynov, kontaktujte najbližšie autorizované servisné stredisko.
- Zakúpený spotrebič je navrhnutý iba na použitie v domácnosti. Nie je vhodný pre komerčné alebo bežné používanie.

Ak spotrebiteľ používa spotrebič spôsobom, ktorý nie je v súlade s tým, zdôrazňujeme, že výrobca a predajca nebudú zodpovední za akúkoľvek opravu alebo zlyhanie v rámci záručnej doby.

8 TIPY NA ÚSPORU ENERGIE

1. Spotrebič umiestnite v chladnej, dobre vetranej miestnosti, nie na priamom slnku a nie v blízkosti tepelného zdroja (napr. radiátor alebo sporák), inak by sa mala použiť izolačná doska.
2. Teplé potraviny a nápoje nechajte pred ich vložením do spotrebiča vychladnúť.
3. Rozmrazované jedlo vložte do priechniku chladničky, ak je k dispozícii. Nízka teplota zmrazených potravín pomôže chladieť počas rozmrazovania priestor chladničky. Tým sa ušetrí energia. Ponechanie mrazených potravín rozmrazovať mimo spotrebiča vedie k plytvaniu energiou.
4. Nápoje alebo iné tekutiny by mali byť vnútri spotrebiča zakryté. Ak sa ponechajú odkryté, zvýši sa vlhkosť vnútri spotrebiča, preto spotrebič spotrebuje viac energie. Zakrytie nápojov alebo iných tekutín pomáha zachovať ich vôňu a chuť.
5. Vyvarujte sa ponechávaniu dvierok dlho otvorených a vyhýbajte sa ich častému otváraní, keďže do spotrebiča bude vchádzať teplý vzduch a kompresor sa bude zbytočne často zapínať.
6. Kryty častí s rozličnými teplotami (napríklad zásuvky na ovocie a zeleninu, mraziaca časť, ak je k dispozícii) nechávajte zatvorené.
7. Tesnenie dvierok musí byť čisté a pružné. V prípade opotrebovania tesnenie vymeňte.
8. Po odstránení mraziacej police je možné uskladniť väčšie množstvo jedla. Spotreba energie sa prehlasuje prostredníctvom maximálneho zaťaženia a bez mraziacej police.

9 TECHNICKÉ ÚDAJE

Technické informácie sa nachádzajú na výrobnom štítku na vnútornej strane spotrebiča a na energetickom štítku.

QR kód na energetickom štítku dodanom so spotrebičom poskytuje webový odkaz na informácie súvisiace s výkonom spotrebiča v databáze EU EPREL.

Energetický štítok si uchovajte na použitie spolu s používateľskou príručkou a všetkými ostatnými dokumentmi poskytovanými s týmto spotrebičom.

Tie isté informácie môžete zároveň nájsť v databáze EPREL pomocou odkazu <https://eprel.ec.europa.eu> a názvu modelu aj čísla výrobku, ktoré nájdete na výrobnom štítku spotrebiča.

Podrobnejšie informácie o energetickom štítku nájdete na odkaze www.theenergylabel.eu.

10 INFORMÁCIE PRE SKÚŠOBNÉ INŠTITÚCIE

Montáž a príprava spotrebiča na overenie ekodizajnu je v súlade s normou EN 62552. Požiadavky na ventiláciu, rozmery na zapustenie a minimálna zadná vôľa sa uvádzajú v tejto používateľskej príručke v ČASTI 1. V prípade akýchkoľvek ďalších informácií vrátane plánov naplnenia sa obráťte na výrobcu.

11 ZÁKAZNÍCKA STAROSTLIVOSŤ A SERVIS

Vždy používajte originálne náhradné diely.

Pri obrátení sa na autorizované servisné centrum sa uistite, či máte k dispozícii tieto údaje: model, PNC, sériové číslo.

Údaje môžete nájsť na výrobnom štítku.

You can find the rating label inside the fridge zone on the left lower side.

Typový štítok sa nachádza vo vnútri chladiaceho priečinka dole na ľavej strane.

Pôvodné náhradné diely pre niektoré špecifické súčiastky, v závislosti od typu súčiastky, budú k dispozícii po dobu minimálne 7 alebo 10 rokov od vystavenia na trhu poslednej jednotky daného modelu.

Navštívte našu webovú lokalitu na:

www.romo.cz

Výhradní distributor značky Romo pro Českou republiku:

ELMAX STORE, a.s.

Topolová 777/2,

735 42 Těrlicko,

Česká republika

Záruční a pozáruční servis:

tel.: +420 599 529 251

email: hlaseni.reklamaci@elmax.cz

Prodej náhradních dílů:

tel: +420 599 529 250

email: servis@elmax.cz

www.romocr.cz

Výhradný distribútor značky Romo pre Slovensko:

ELEKTRO STORE SK, s.r.o.

Horná 116

022 01 Čadca

Slovenská republika

Záručný a pozáručný servis:

tel.: +421 915 473 787

email: hlaseni.reklamaci@elmax.cz

Predaj náhradných dielov: tel:

+421 915 473 787

email: servis@elmax.cz

www.romo.sk



52393953